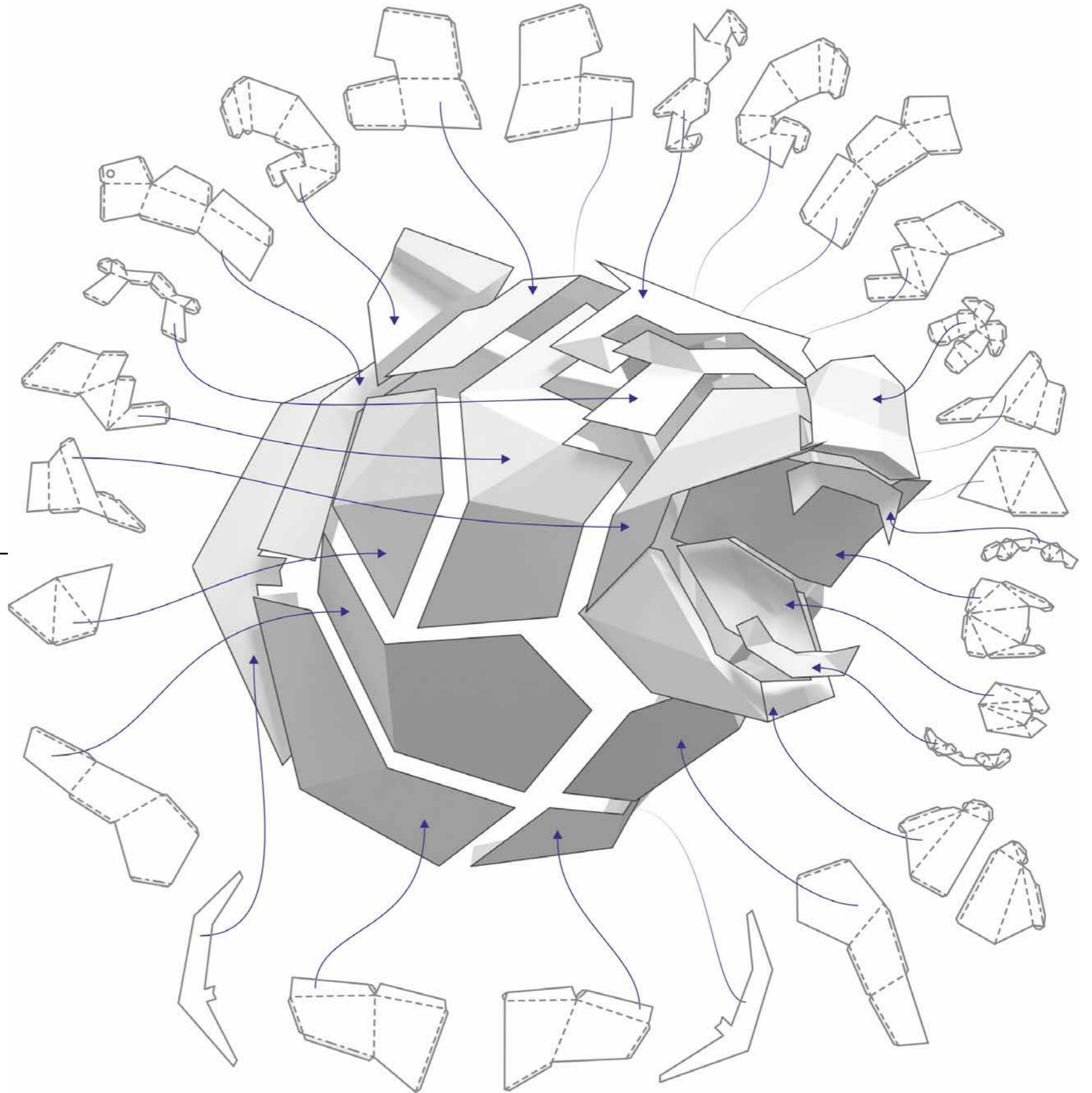


Polygonal Paper

Instructions

on gluing the bear head from paper





Author's note

Thank you for purchasing the files for making the bear head!

You will need about 8 hours on gluing it. The size of ready model is: 350 mm*350 mm*400 mm.

It is better if you have the skills of working with paper, but you can make a model, even if you have never done anything like this. In the first place, the result will depend on your attentiveness and exactitude.

Video tutorial: <https://youtu.be/Y63wporZrkE>

We put a lot of effort into creating this model. It is forbidden to use any materials for the purpose of making profit, and also to share them.



Rim Shamsin and Design Team of Polygonal Paper

✉ info@polygonalpaper.com

vk <https://vk.com/polygonalpaper>

f <https://www.facebook.com/polypaper>

ig https://www.instagram.com/polygonal_paper/

Be <https://www.behance.net/polygonalpaper>



You will need for work



A cutter.

You can use any cutter for paper.



A ruler.

It's better to use the metal ruler, because this material is difficult to cut by cutter.



Glue.

Which does not deform the paper. Note that most of the PVA glues dries for a long time, and the paper gets wet from them, and then deformed. I like to use UHU glue for paper.



A surface for the cutting.

You can use a piece of old linoleum, or a glass panel, or a clean cutting board.

A3

An A4 sheet of white cardboard for base.

Cut the details «template for cardboard contour» from it.



Template.

Printed on paper weights 180-250 gr. / sq.m. Choose one of the formats of paper size: A4 or A3. In the file for printing on A4 paper size the same scheme, but divided into small parts. Please, do not use office paper (80-90 gr./ sq.m.). This paper is too thin. You can use aquarelle paper. This paper has a light texture, thanks to this gluing places of the finished model is almost unnoticeable.



Work sequence

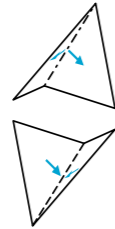
Cutting.

Cut out all the details of the template along the solid line.

You will get the best result if you will cut the paper with a cutter by ruler. Please do not use scissors, because they can make dents on the paper in the turning places.

Folding.

Carefully score (but do not cut through) the paper along the dotted and dashed-dotted lines. This is necessary to make the folding of the paper in these place easier.



The dash-dotted lines denote folding of the paper to the outside (there are diverging arrows in this places);

The dotted lines appear in the places where the edges of the paper must be folded over to the inside (this movement is indicated by converging arrows).

Gluing.

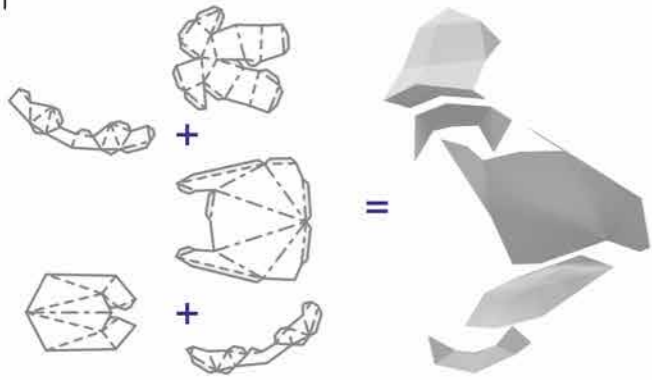
The workplace have to be clean. If you stained your hands with glue, first wash them, then continue the assembly.

Fold all details along the lines.

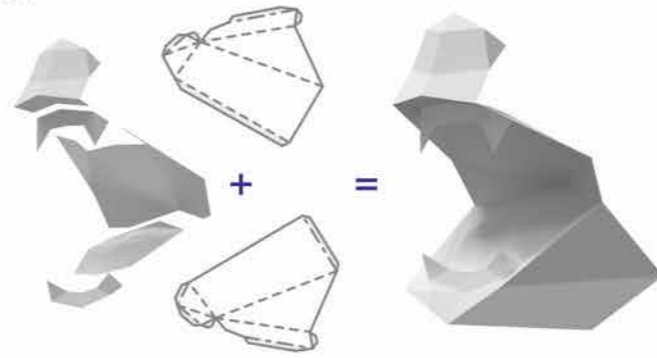
The side of the paper with lines is the inner side of the model. The edges which should be glued together are denoted by the same numerals. For convenience, there are flaps for glue on the template (marked in gray). Start gluing together the edges from numbers «1», then «2», etc.



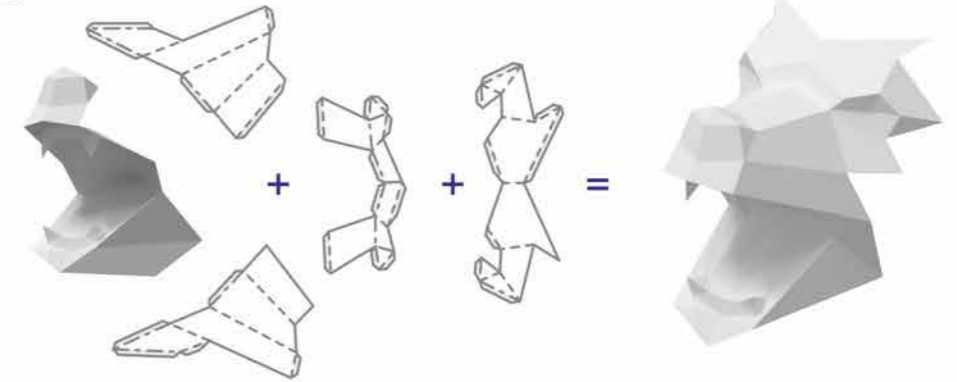
01



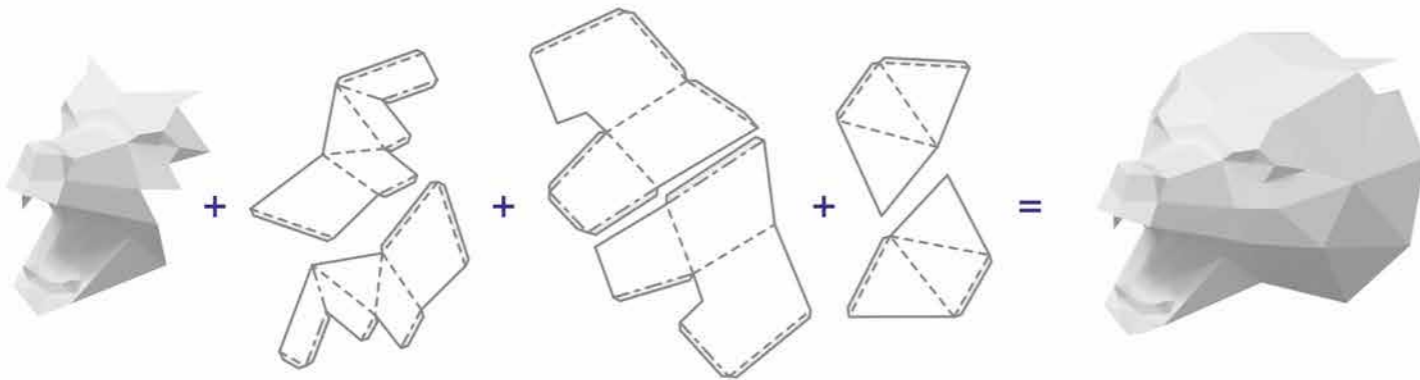
02



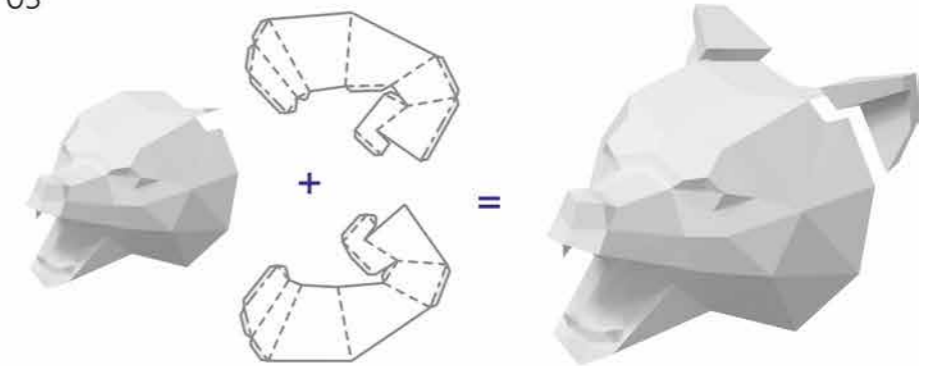
03



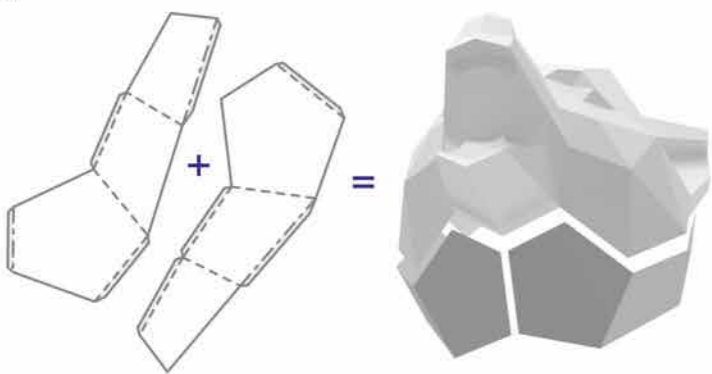
04



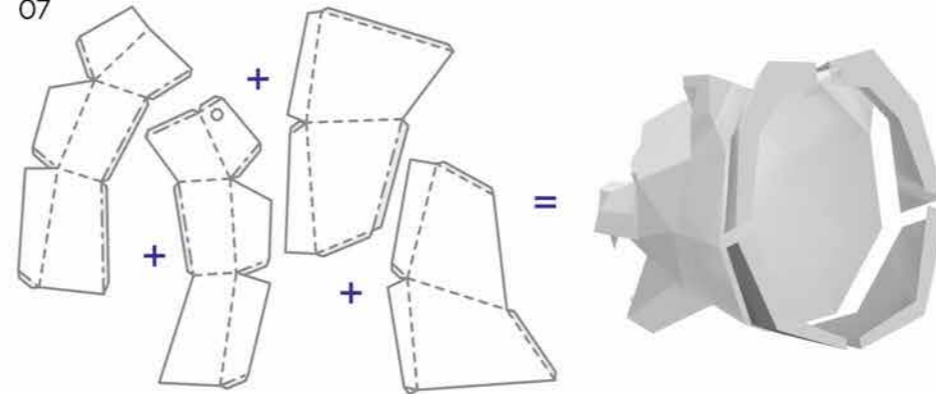
05



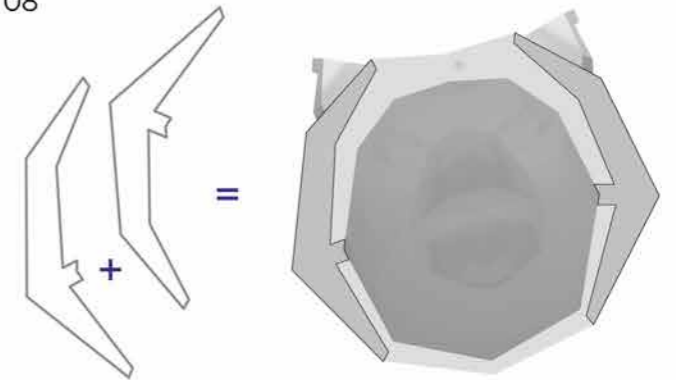
06



07



08





Thank you!