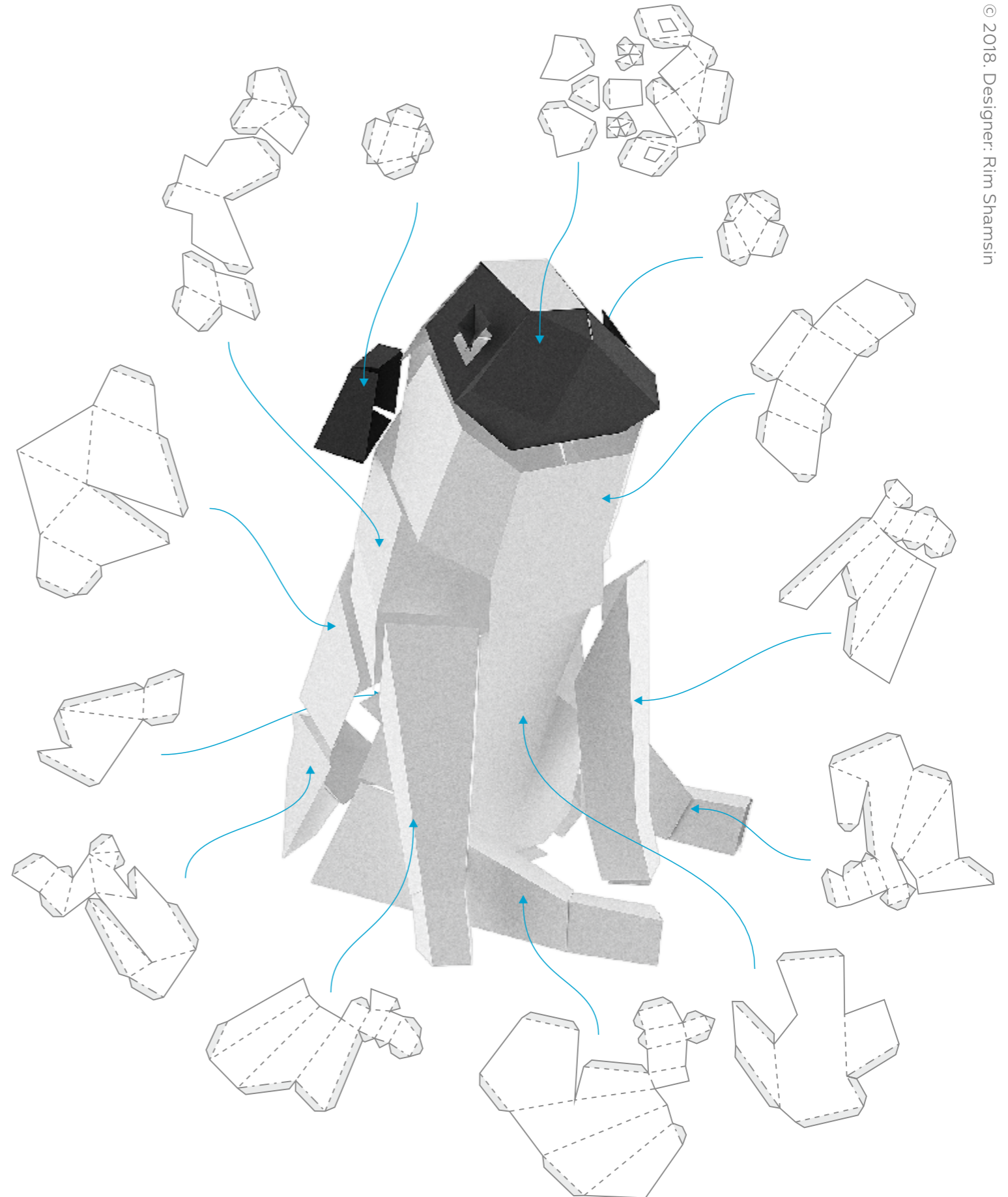


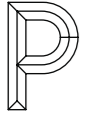
# Polygonal Paper

## Instructions

on gluing pug from paper

Assembled model size:  
200 mm \* 140 mm \* 180 mm





# Author's note

Thank you for purchasing the files for making the pug!

We have trying to do everything possible to make the process of gluing simple and straightforward, however, you will need about five hours on gluing the pug.

For making a pug, it is desirable for you to have the skills of working with paper, but you can make a model, even if you have never done anything like this. In the first place, the result will depend on your attentiveness and exactitude.

Video tutorial where we make the deer head in such technique: -

<https://youtu.be/Y63wporZrkE>



## Rim Shamsin and Team Polygonal Paper

- ✉ [info@polygonalpaper.com](mailto:info@polygonalpaper.com)
- ✎ <https://vk.com/polygonalpaper/>
- 📘 <https://www.facebook.com/polypaper/>
- 📷 [https://www.instagram.com/polygonal\\_paper/](https://www.instagram.com/polygonal_paper/)
- Be <https://www.behance.net/polygonalpaper/>



# You will need for work



---

## A cutter.

You can use any cutter for paper. The best cutter is with blade 9 mm.



---

## A ruler.

It will be better if you will use the metal ruler, because you may accidentally cut the ruler of a different material.



---

## Glue.

Which does not deform the paper. Note that most of the PVA glues deform the paper. If you will make the model using this glue it will not bring to you any pleasure, because the PVA glue dries for a long time, and the paper gets wet from it, and then deformed. Lately we like glue UHU for paper.



---

## A surface for cutting.

You can use a piece of old linoleum, or a glass panel, or a clean cutting board



---

## Black marker or acrylic paint.

To paint the face.



---

## Template.

Printed on paper weights 180-230 gr./sq.m. If you already have experience of assembling paper models, print the file on A4 paper size (210 mm \* 297 mm). But if you are not sure of your abilities, we advise you to increase the scale to 140% when sending a file to print, and to print it on A3 sheets. So the assembly will be much easier.

Please, do not print the file on office paper (80 gr./sq.m.). This paper is too thin. The best result will be if you use pastel paper.



# Work sequence

## Cutting.

Cut out all the details along the contour (indicated by the solid line). You will get the best result if you will cut the paper with a cutter by ruler. It is better not to use scissors, because they can make dents on the paper in the places of intersection of lines.

## Folding.

Carefully score (but do not cut through) the paper along the dotted and dashed-dotted lines. This is necessary to make the folding of the paper in these place easier.



The dash-dotted lines denote folding of the paper to the outside (there are diverging arrows);



The dotted lines appear in the places where the edges of the paper must be folded over to the inside (indicated by converging arrows).

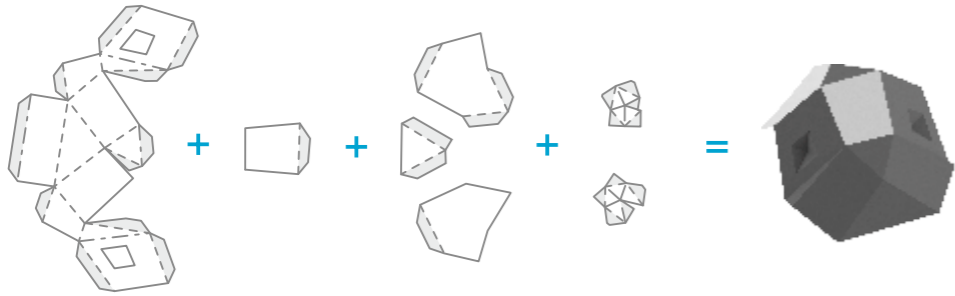
## Gluing.

The side of the paper with lines is the inner side of the model. The edges which should be glued together are denoted by the same numerals. For convenience, there are flaps on the template (marked in gray). Start gluing together the edges from numbers «1», then «2», etc.

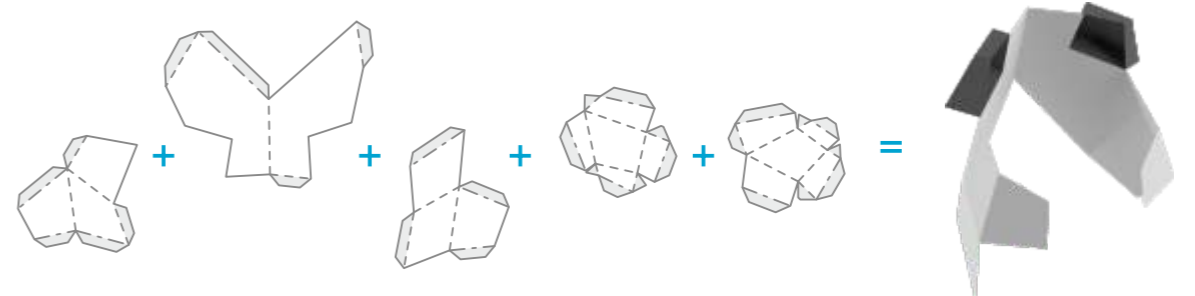
If during the assembly you accidentally stained your hands with glue, first wash your hands, and then continue the assembly the model.



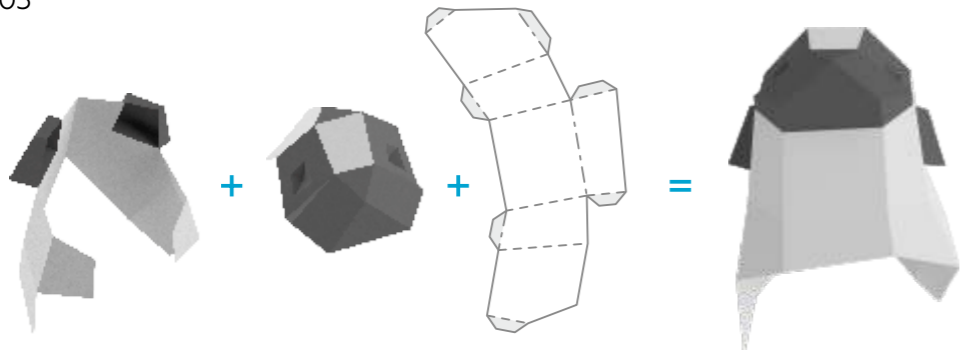
01



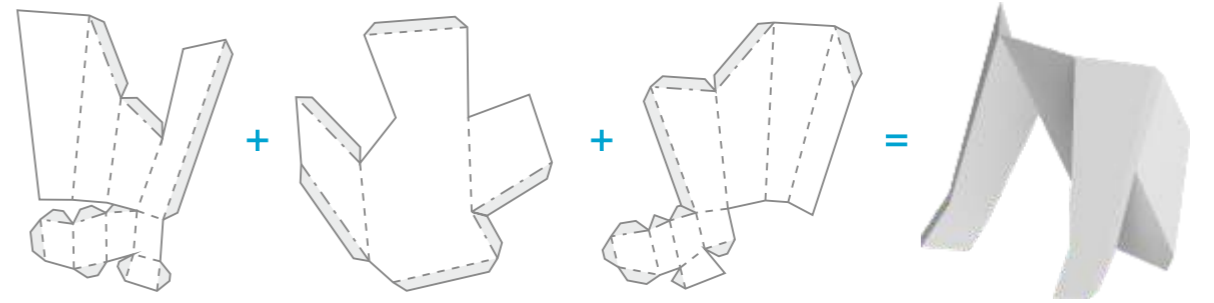
02



03



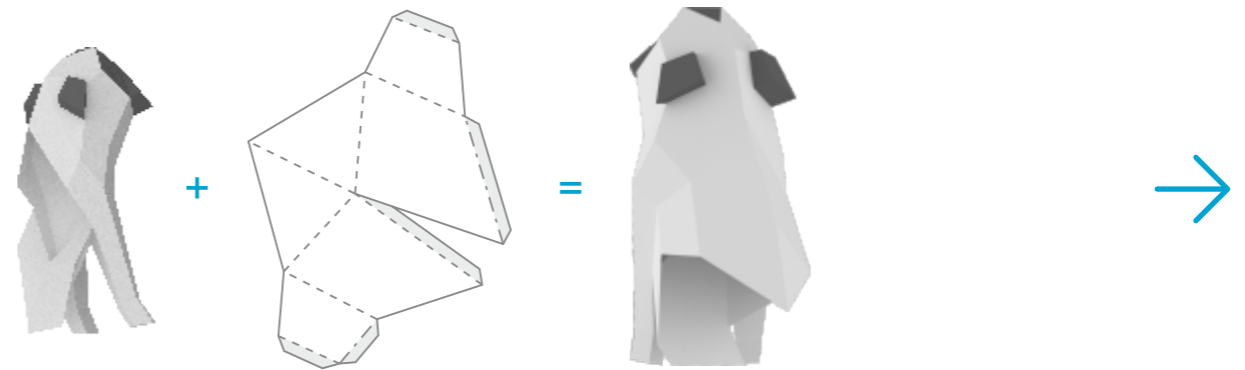
04



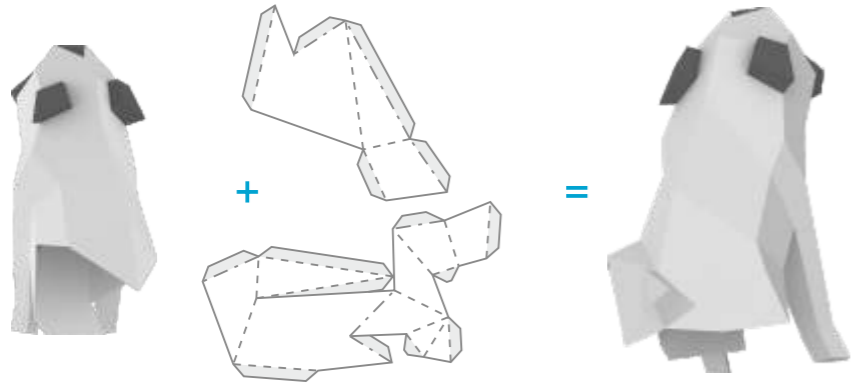
05



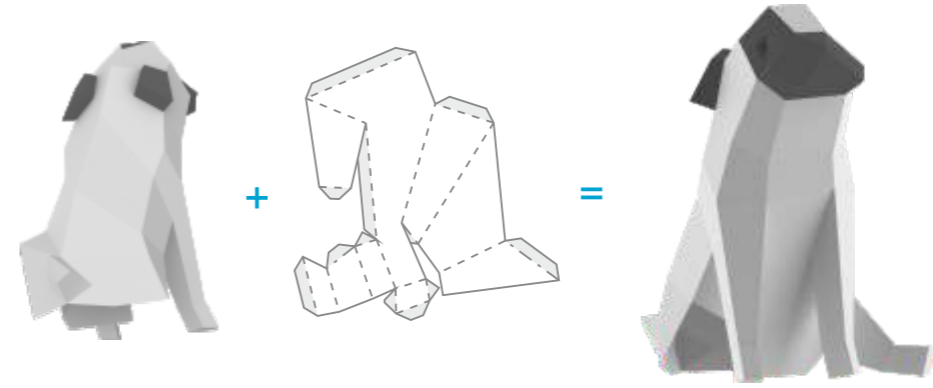
06



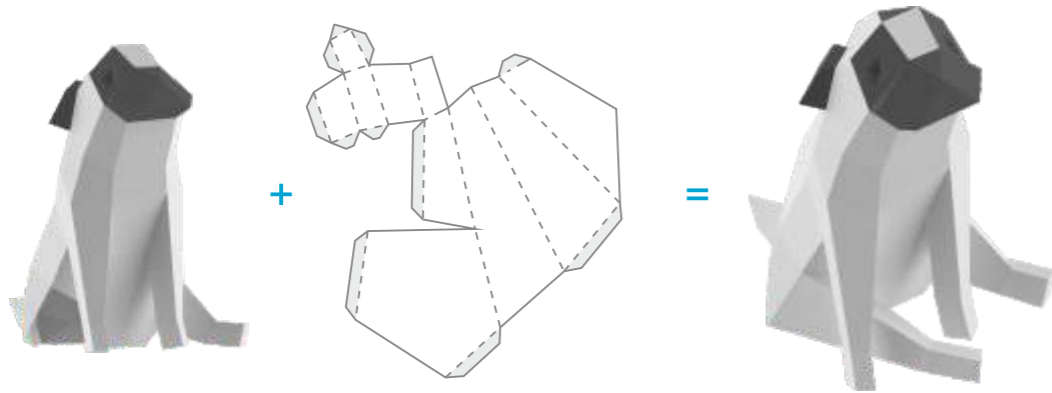
07



08



09





**Thank you!**