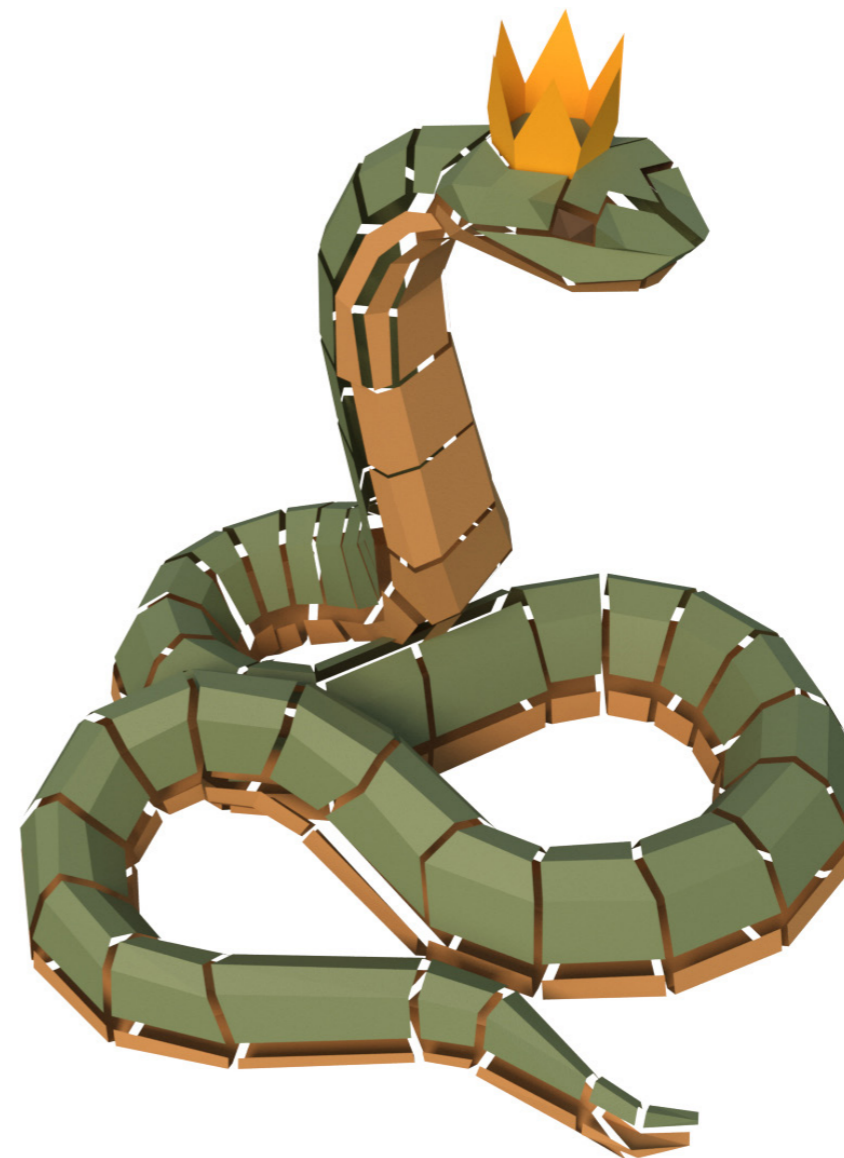


Polygonal Paper

Instructions

on gluing paper snake





Authors note

Thank you for purchasing the files for making the snake!

You will need about 40 hours on gluing it. The size of ready model is: H90 cm* W91 cm* D97 cm.

It is better if you have the skills of working with paper. If you have never made papercraft sculptures before, you can practice on our free templates: <https://polygonalpaper.com/ru/articles/articles/free-models/>

We put a lot of effort into creating this model. It is forbidden to use any materials for the purpose of making profit, and also to share them.



Dmitriy Glazkov, 3d-sculptor

Natalia Pogudina, template designer

✉ info@polygonalpaper.com

vk <https://vk.com/polygonalpaper>

f <https://www.facebook.com/polygonalpaper/>

ig <https://www.instagram.com/polygonalpaper/>



You will need for work



A cutter.

You can use any cutter for paper.



A ruler.

It's better to use the metal ruler, because this material is difficult to cut by cutter.



Glue.

Which does not deform the paper. Note that the PVA glue for paper dries for a long time, and the paper gets wet from them, and then deformed. We like to use PVA glue for wood.



A surface for the cutting.

You can use a piece of old linoleum, or a glass panel, or a clean cutting board.



Polyurethane foam.

You can use any polyurethane foam.



Template.

Printed on A4 paper weights 250 gr. / sq.m. Please, do not use office paper (80-90 gr./ sq.m.). This paper is too thin. You can print details on colorful paper. Page 1 should be printed on brown paper, pages 2 to 3 on gold paper, next 34 pages should be printed on beige paper, and last 33 pages should be printed on green paper.



Work sequence

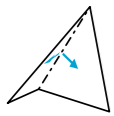
Cutting.

Cut out all the details of the template along the solid line.

You will get the best result if you will cut the paper with a cutter by ruler. Please do not use scissors, because they can make dents on the paper in the turning places.

Folding.

Carefully score (but do not cut through) the paper along the dotted and dashed-dotted lines. This is necessary to make the folding of the paper in these place easier.



The dash-dotted lines denote folding of the paper to the outside;



The dotted lines appear in the places where the edges of the paper must be folded over to the inside. Score paper by all lines, then bend the parts.

Gluing.

The workplace have to be clean. If you stained your hands with glue, first wash them, then continue the assembly.

The side of the paper with lines is the inner side of the model. The edges which should be glued together are denoted by the same numerals. For convenience, there are flaps for glue on the template (marked in gray). In the illustrations, the model is divided into parts (A-H). But you don't need to assemble these parts separately, but glue one by one details starting from 1.

During assembly, it is recommended to draw thin strips of polyurethane foam inside the model. This will make the structure stable. If there is a lot of foam, it can tear the model.



Position of the model in space



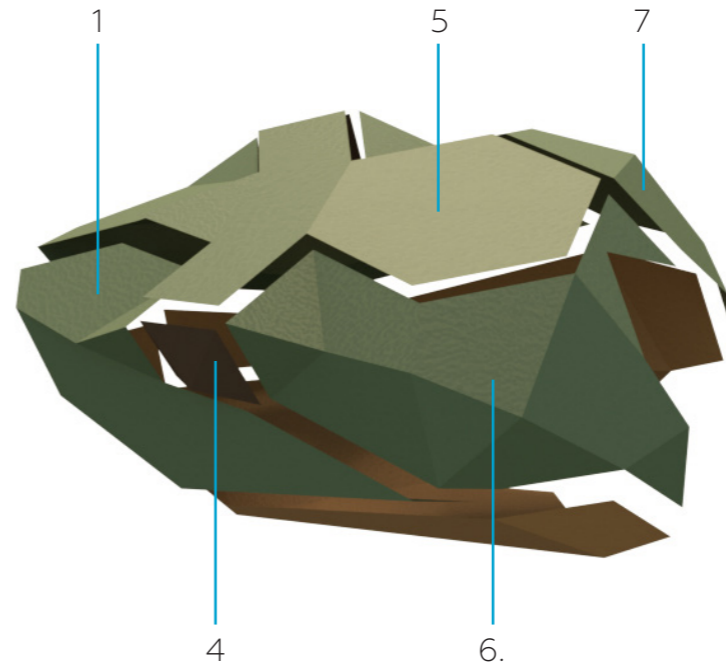
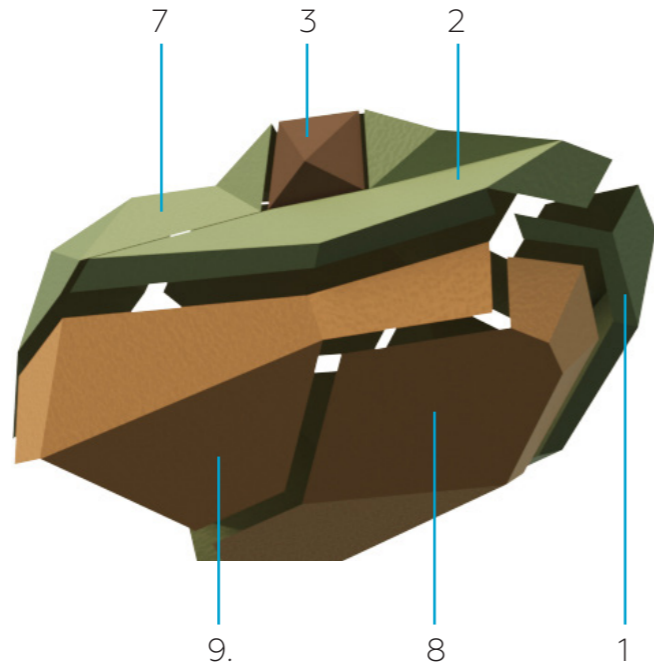
If you cut out the details with cutting machine,
the instructions are on pages 6-13



If you printed the parts and cut them out by
hand, the instructions are on pages 15-23

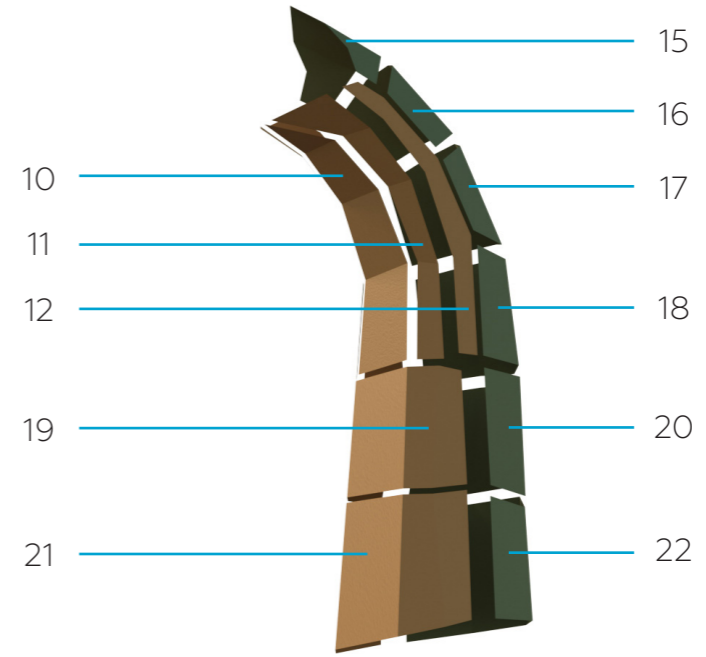
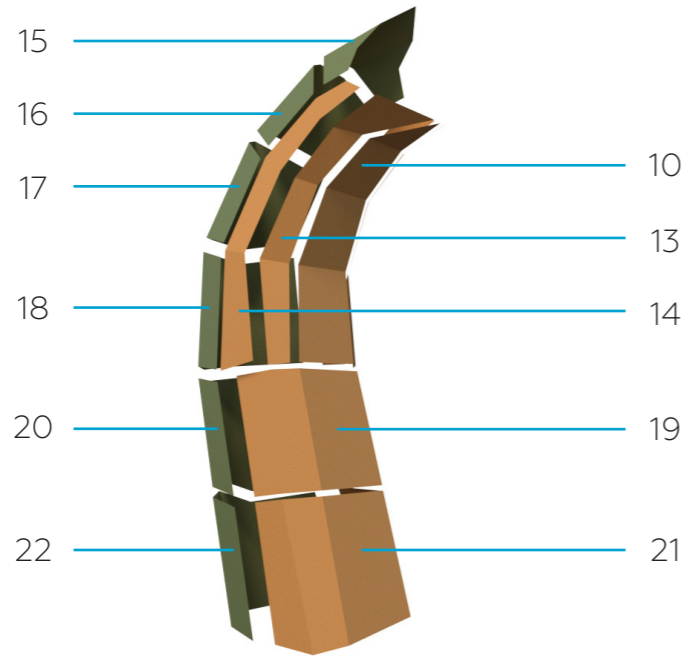


Part A



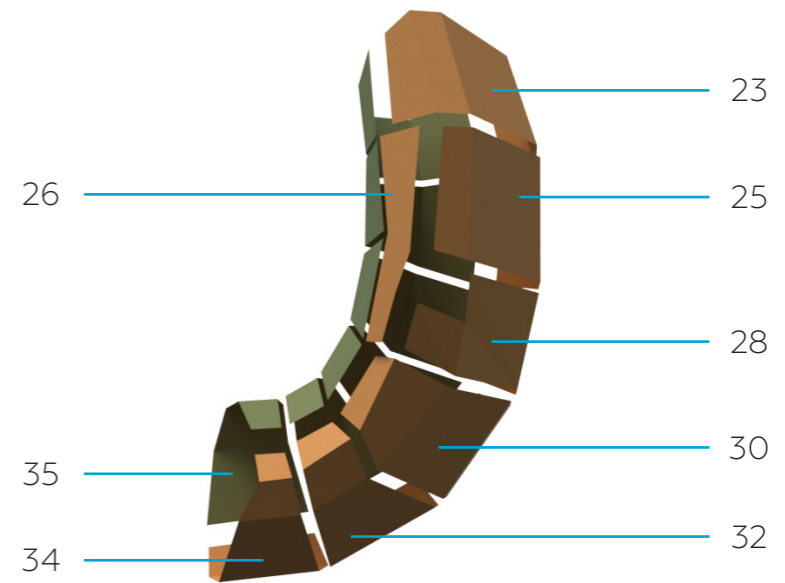
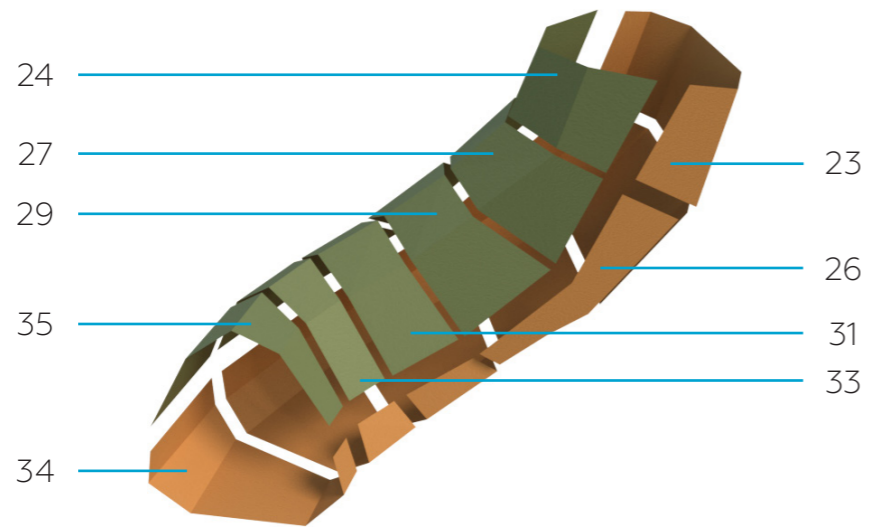


Part B



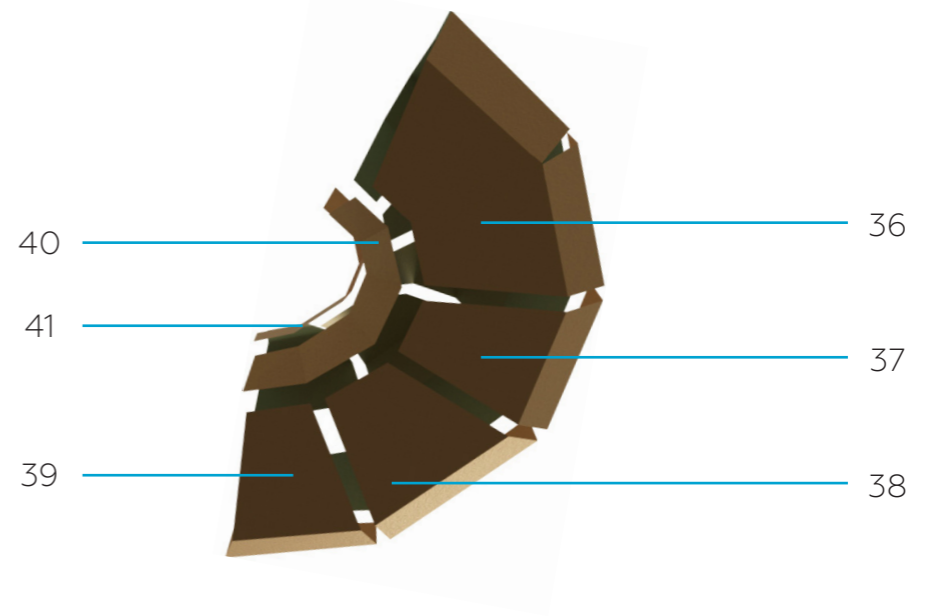
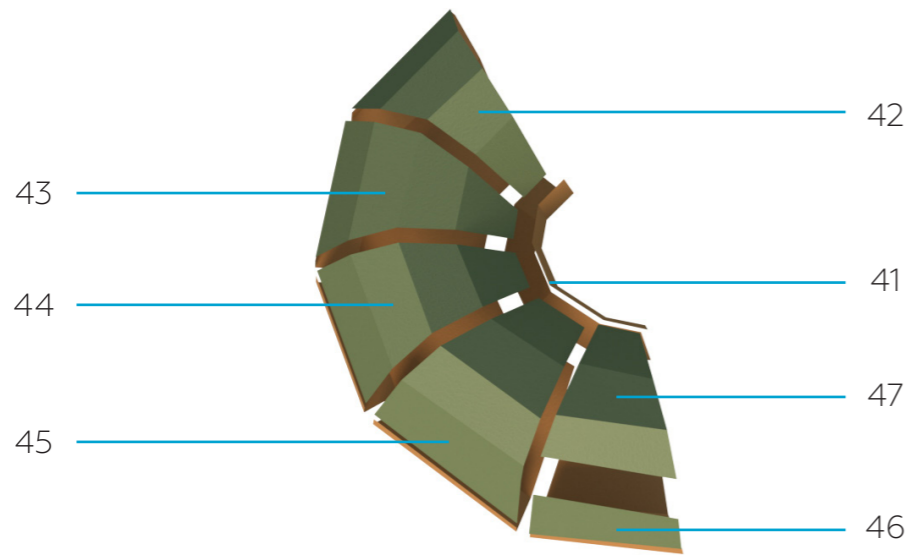


Part C



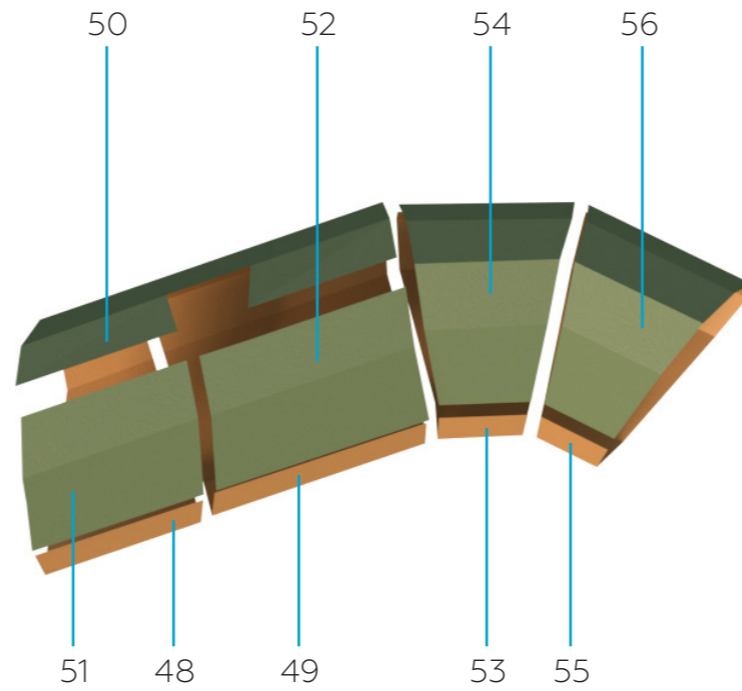


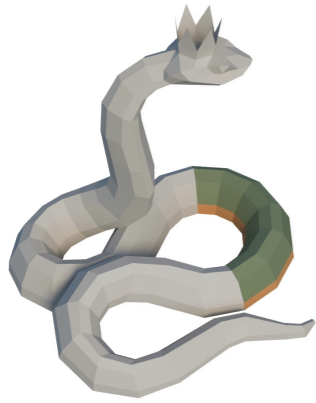
Part D



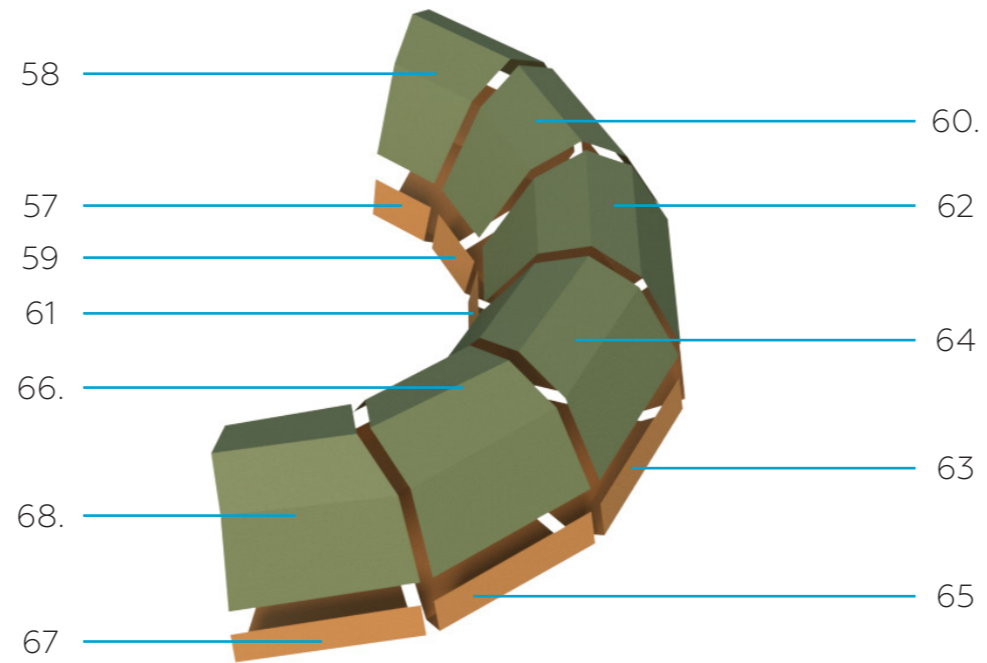


Part E



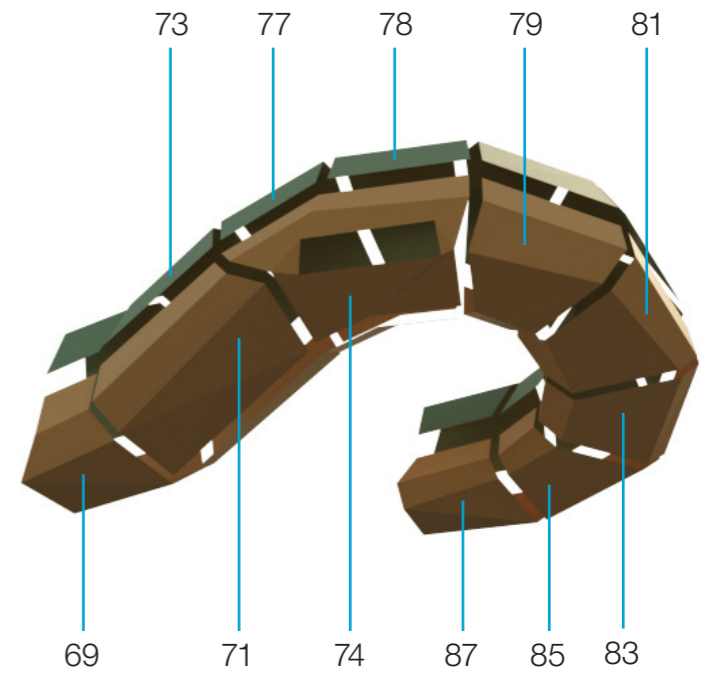
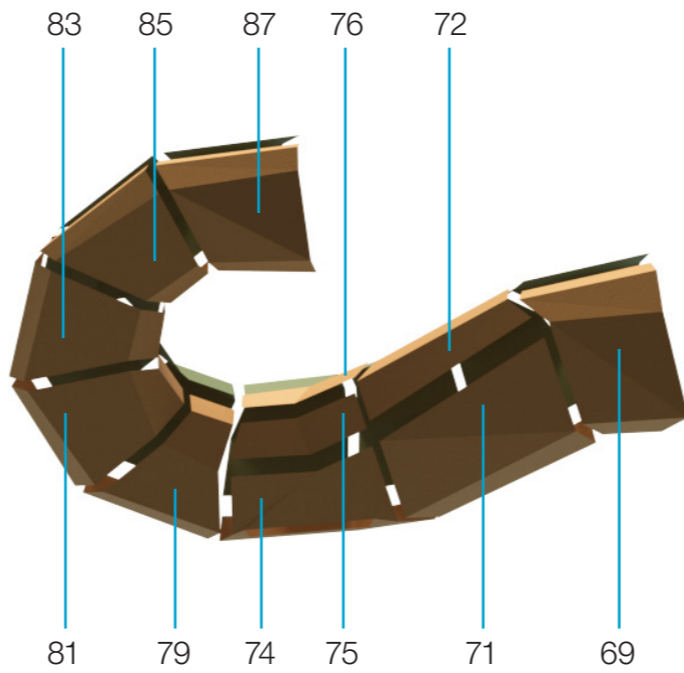
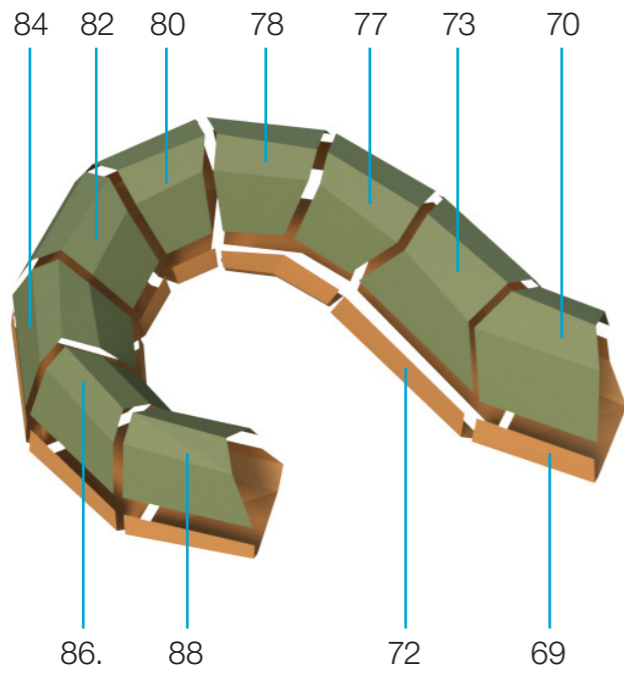


Part F



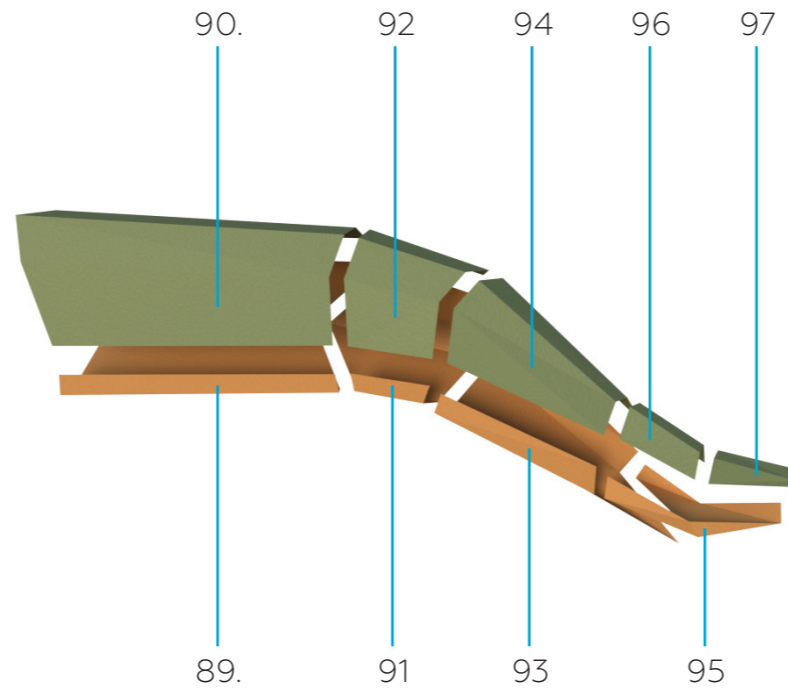


Part G





Part H



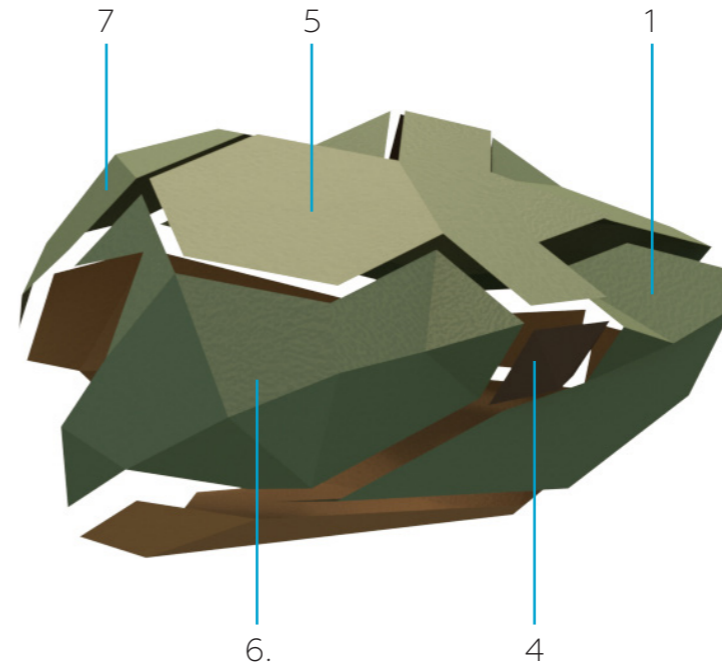
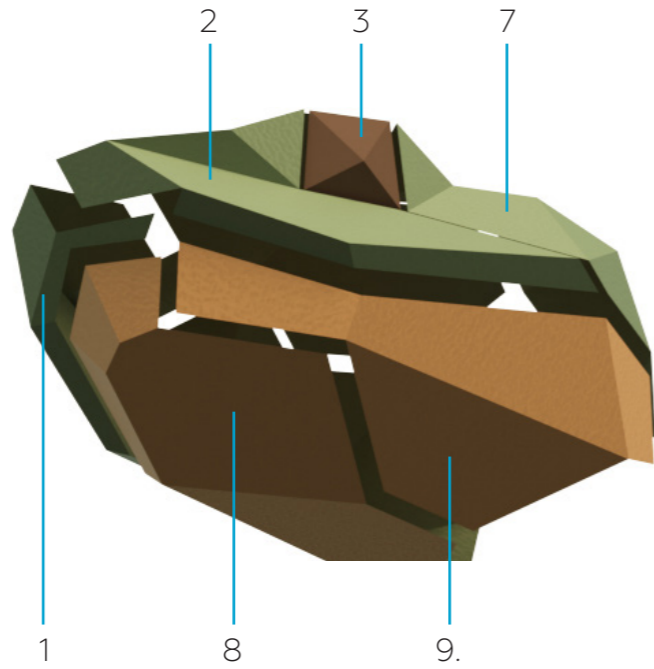


Thank you!

P

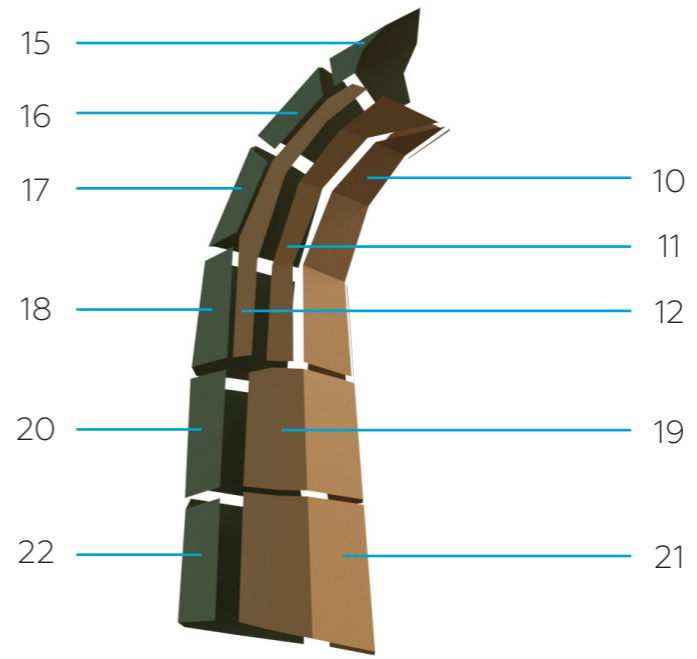
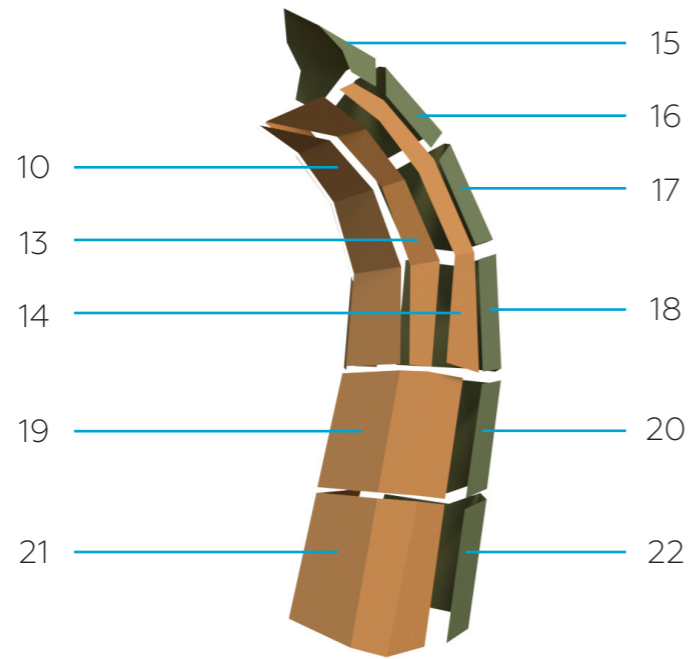


Part A



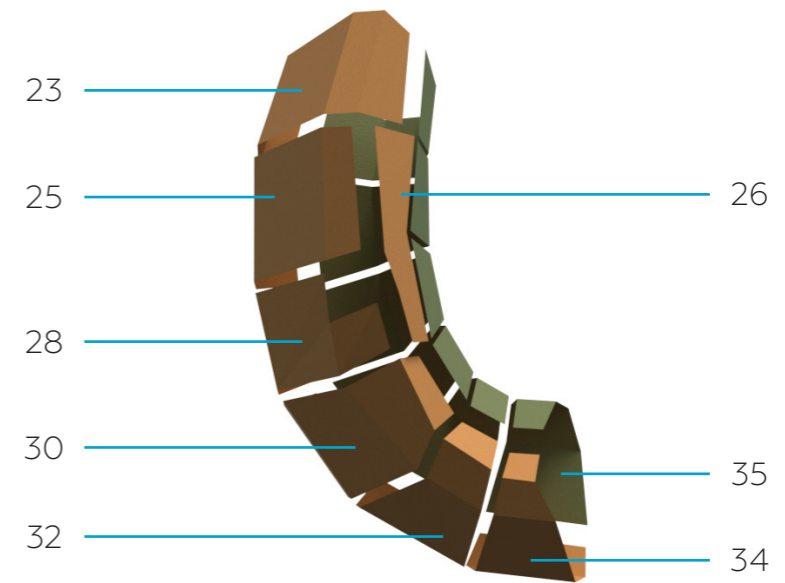
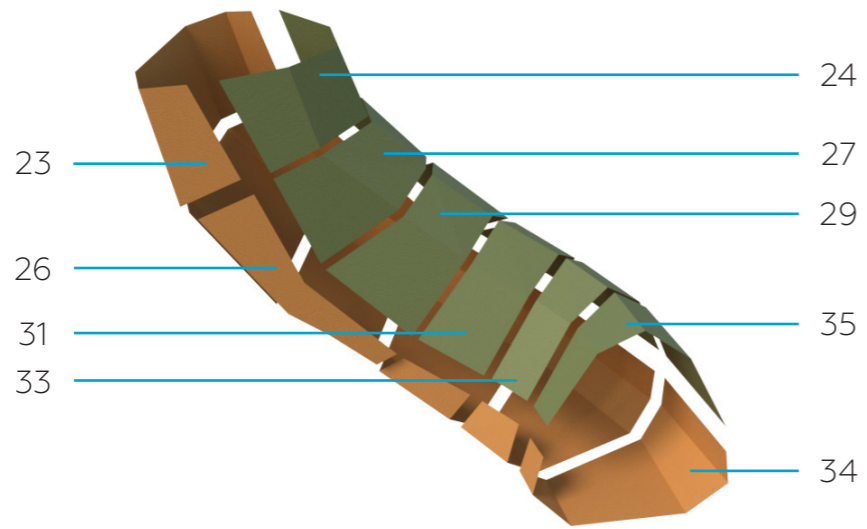


Part B





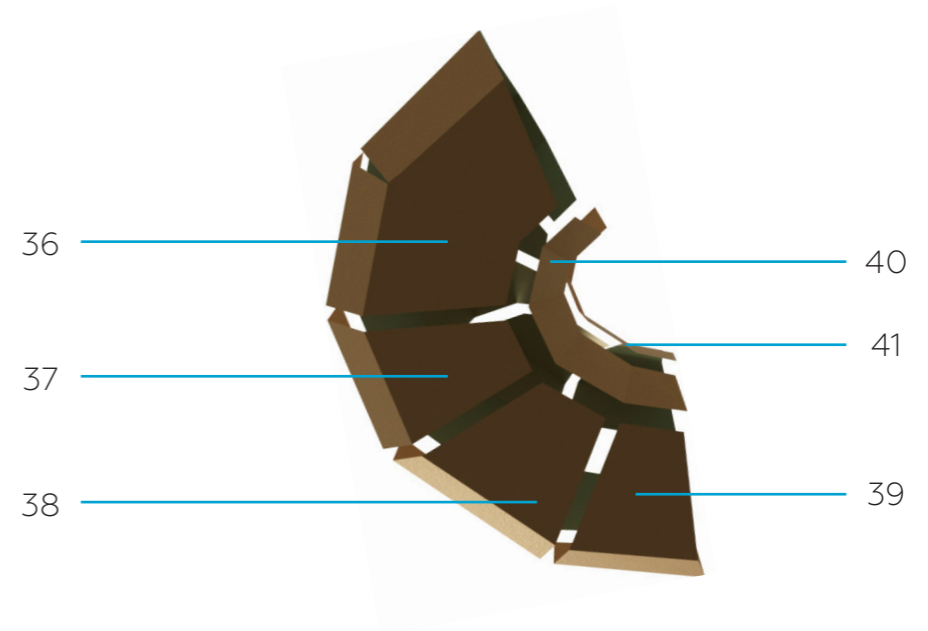
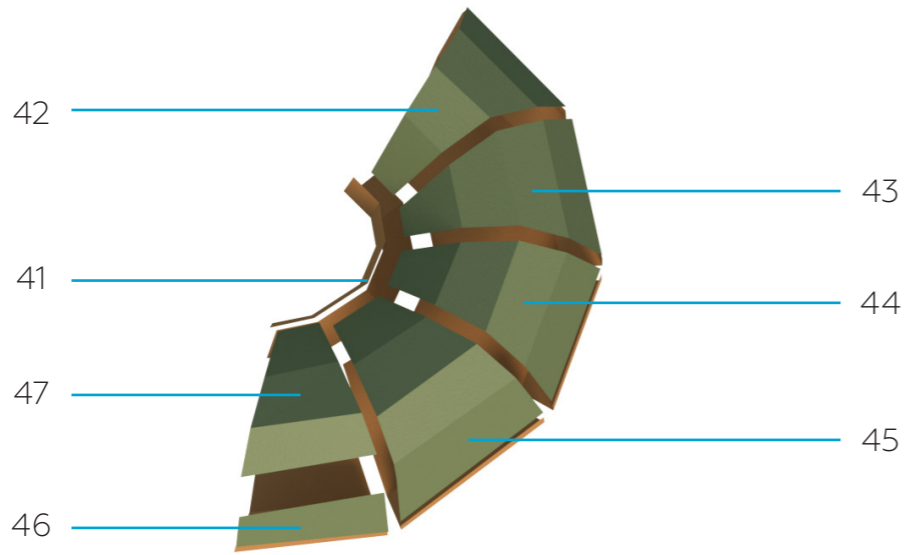
Part C



P



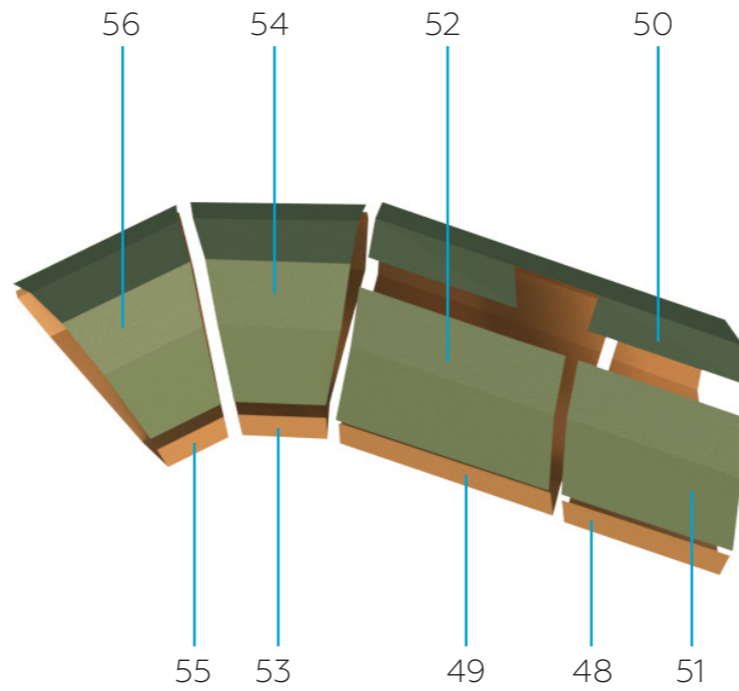
Part D



P



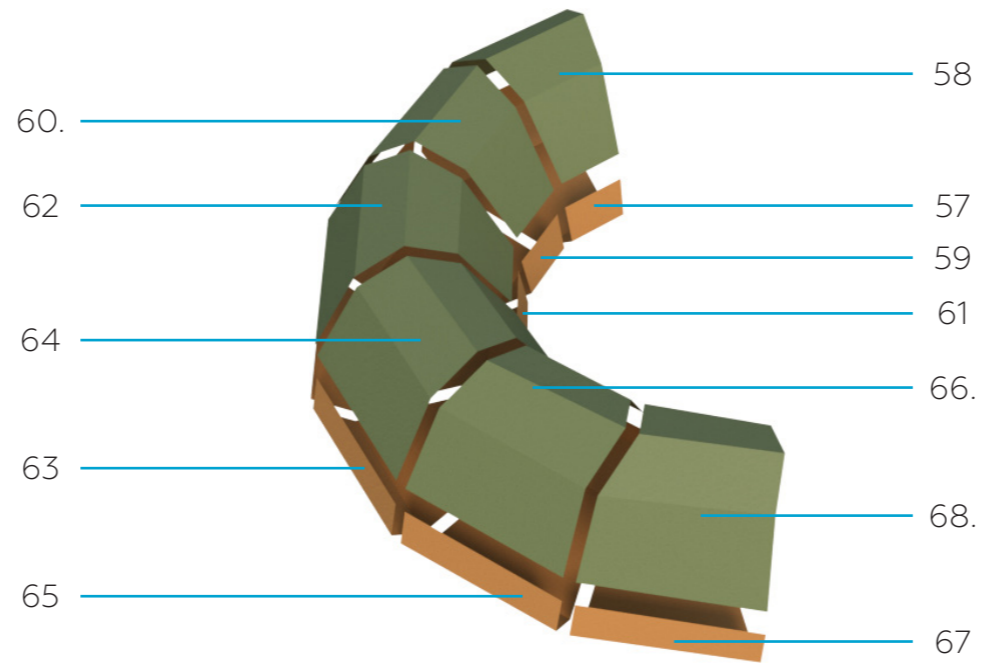
Part E



P



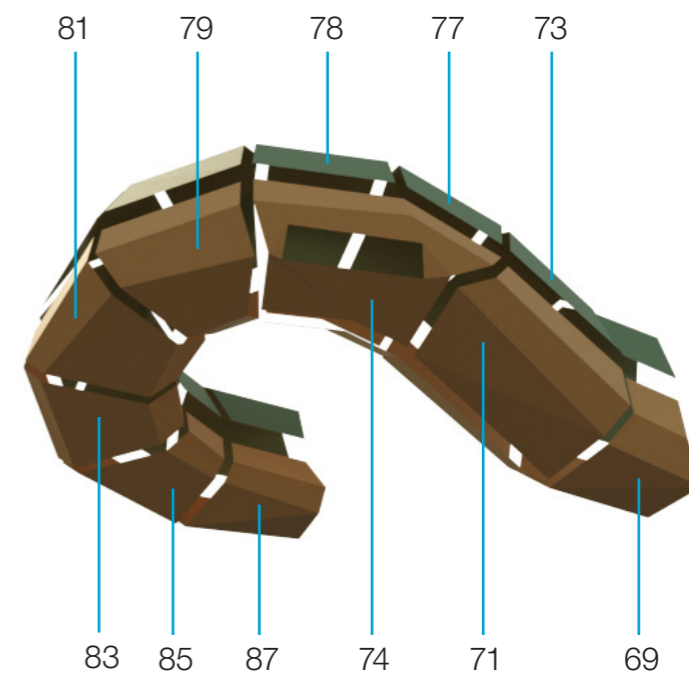
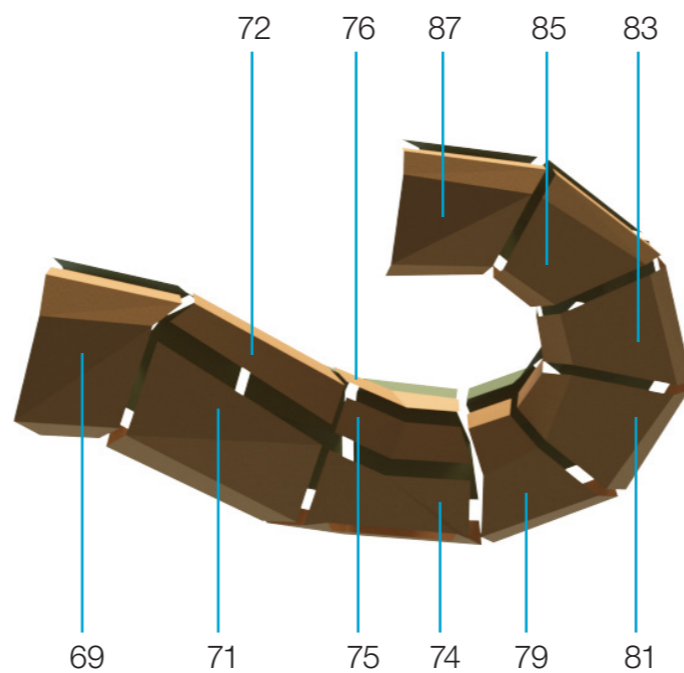
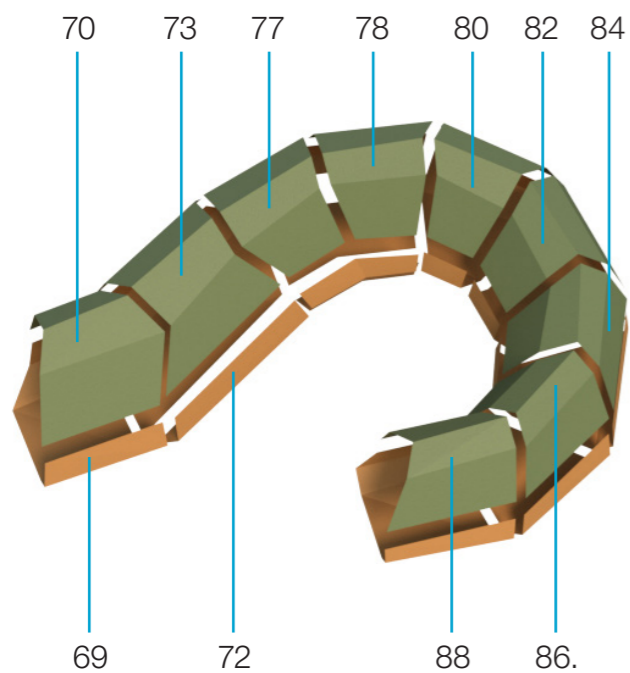
Part F



P



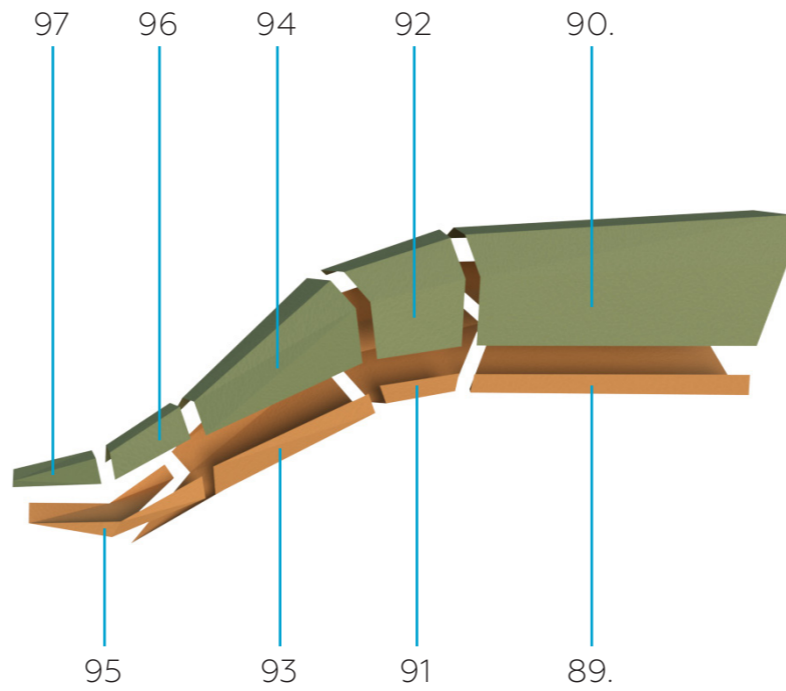
Part G



P



Part H





Thank you!