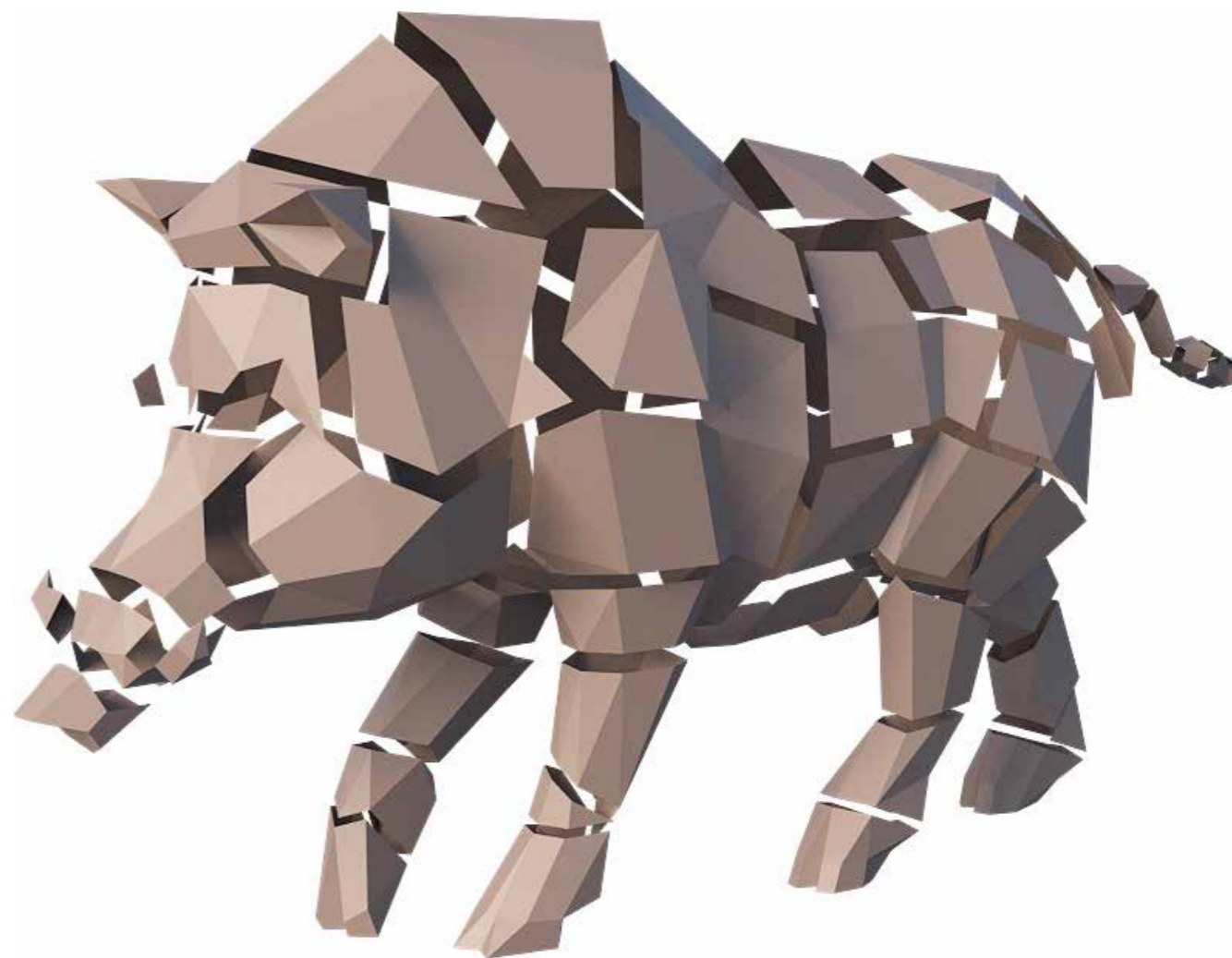


Polygonal Paper

Instructions

on gluing boar from paper





Author's note

Thank you for purchasing the files for making the boar!

You will need about 30 hours on gluing it. The size of ready model is: H 70 cm* W 33 cm* L 115 cm.

It is better if you have the skills of working with paper. In the first place, the result will depend on your attentiveness and exactitude.

Video tutorial: <https://vimeo.com/290165112>

I put a lot of effort into creating this model. It is forbidden to use any materials for the purpose of making profit, and also to share them.



Rim Shamsin and Design Team of Polygonal Paper

✉ info@polygonalpaper.com

vk <https://vk.com/polygonalpaper>

f <https://www.facebook.com/polygonalpaper/>

ig <https://www.instagram.com/polygonalpaper/>

Be <https://www.behance.net/polygonalpaper>



You will need for work



A cutter.

You can use any cutter for paper.



A ruler.

It's better to use the metal ruler, because this material is difficult to cut by cutter.



Glue.

Which does not deform the paper. Note that most of the PVA glues dries for a long time, and the paper gets wet from them, and then deformed. I like to use UHU glue for paper.



A surface for the cutting.

You can use a piece of old linoleum, or a glass panel, or a clean cutting board.



Template.

Printed on paper weights 250-350 gr. / sq.m. Please, do not use office paper (80-90 gr./ sq.m.). This paper is too thin. You can print details on colorfull paper.



Work sequence

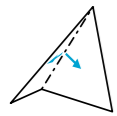
Cutting.

Cut out all the details of the template along the solid line.

You will get the best result if you will cut the paper with a cutter by ruler. Please do not use scissors, because they can make dents on the paper in the turning places.

Folding.

Carefully score (but do not cut through) the paper along the dotted and dashed-dotted lines. This is necessary to make the folding of the paper in these place easier.



The dash-dotted lines denote folding of the paper to the outside;



The dotted lines appear in the places where the edges of the paper must be folded over to the inside. Score paper by all lines, then bend the parts.

Gluing.

The workplace have to be clean. If you stained your hands with glue, first wash them, then continue the assembly.

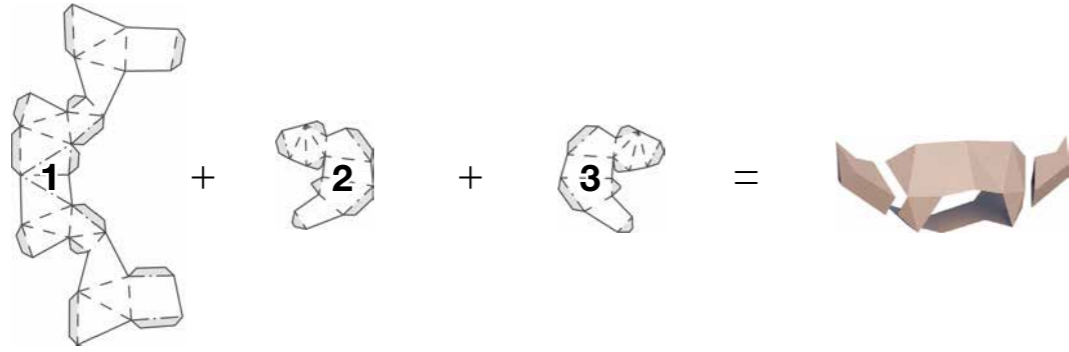
The side of the paper with lines is the inner side of the model. The edges which should be glued together are denoted by the same numerals. For convenience, there are flaps for glue on the template (marked in gray).

Assemble the model in the order shown in the illustration.

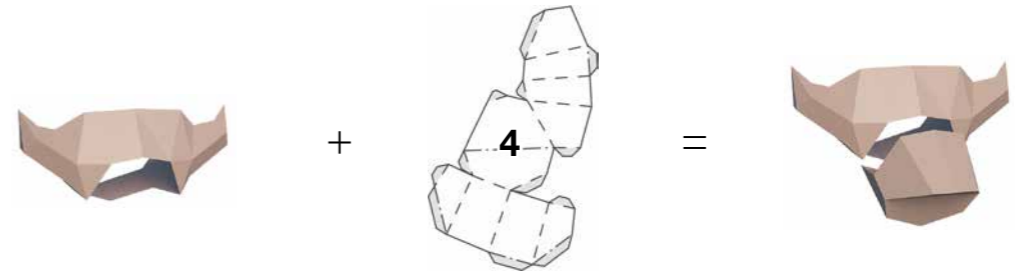
On the following pages you can find an illustration of sequence of gluing.



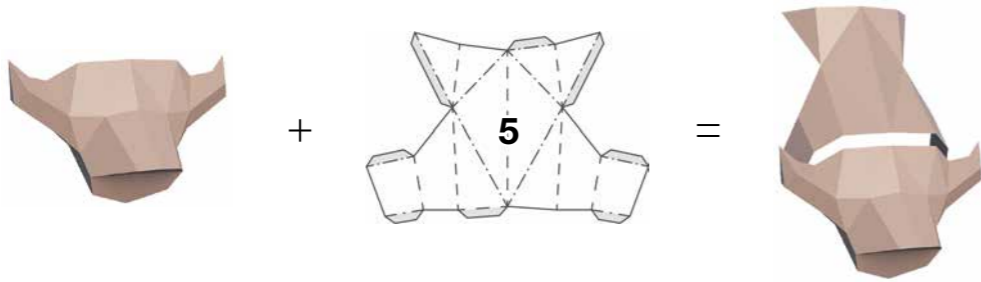
01



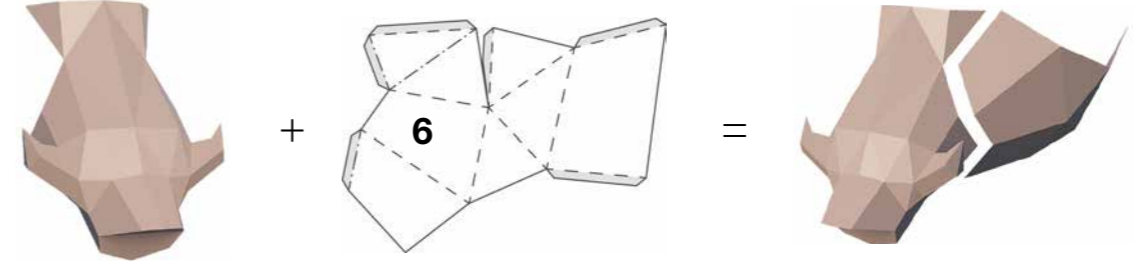
02



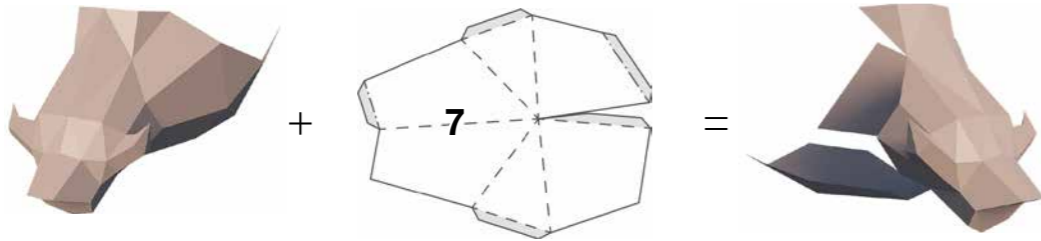
03



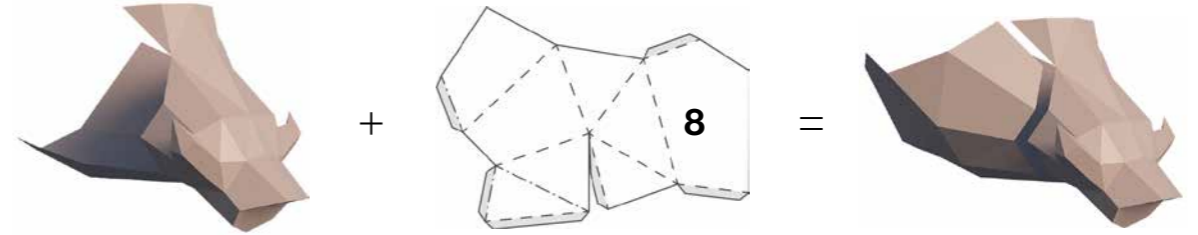
04



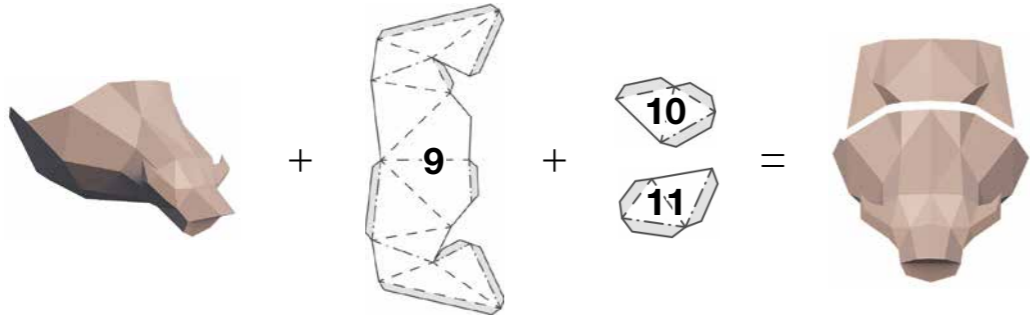
05



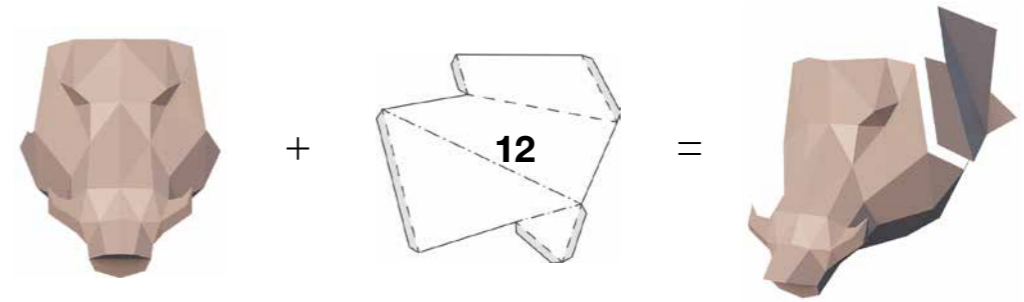
06



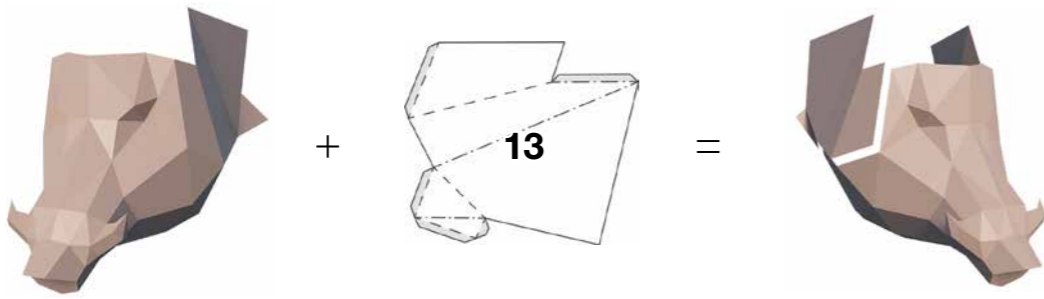
07



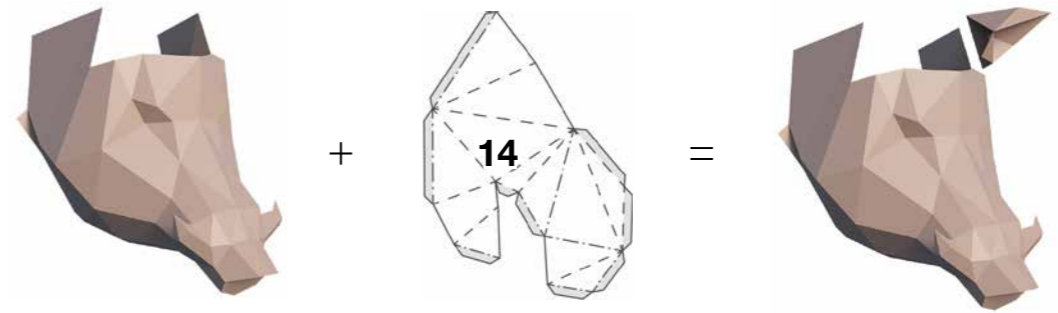
08



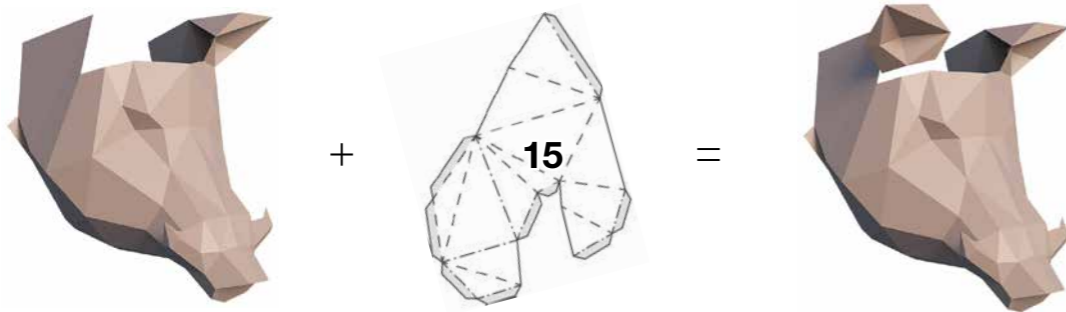
09



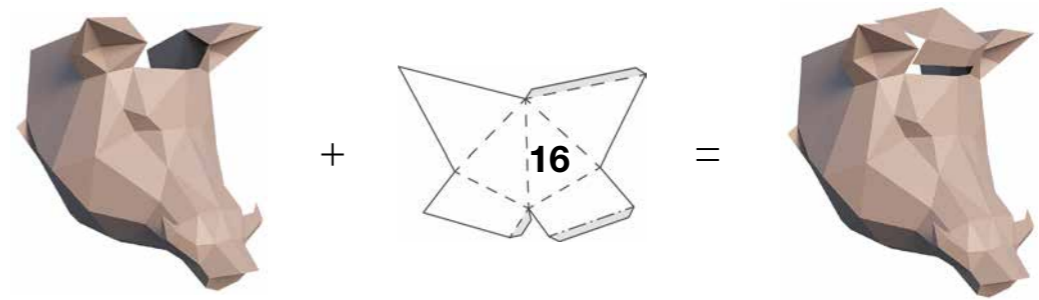
10



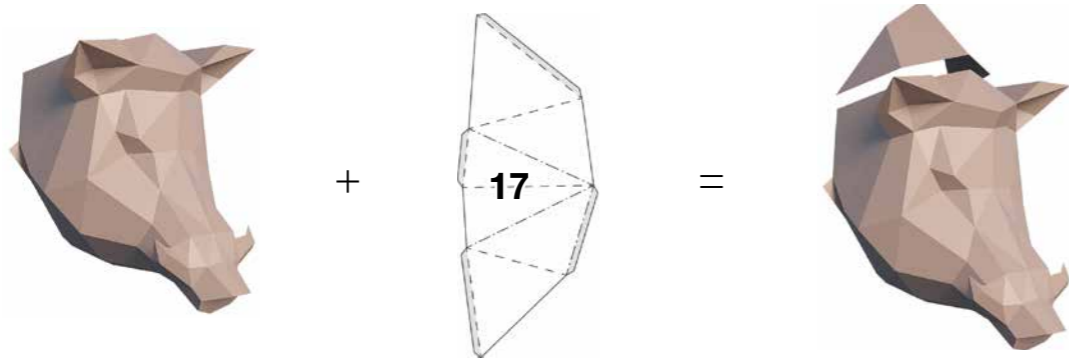
11



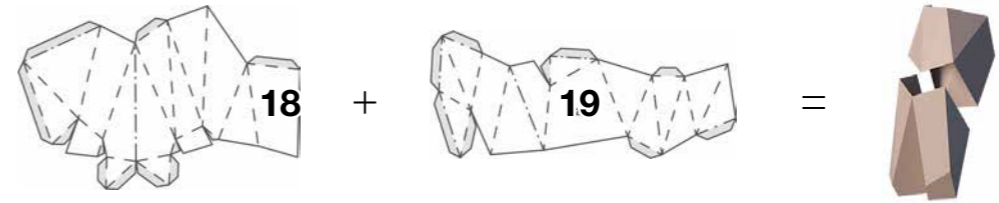
12



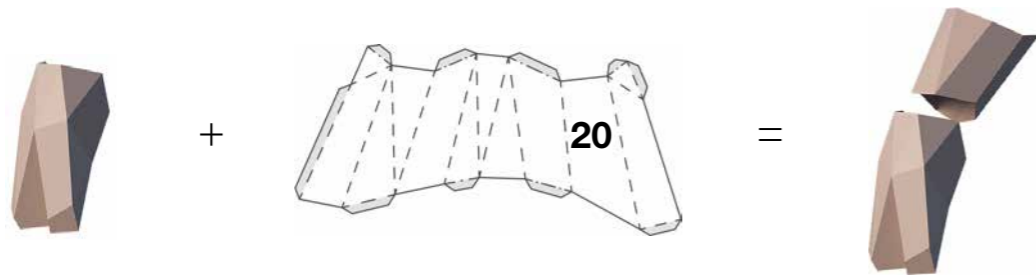
13



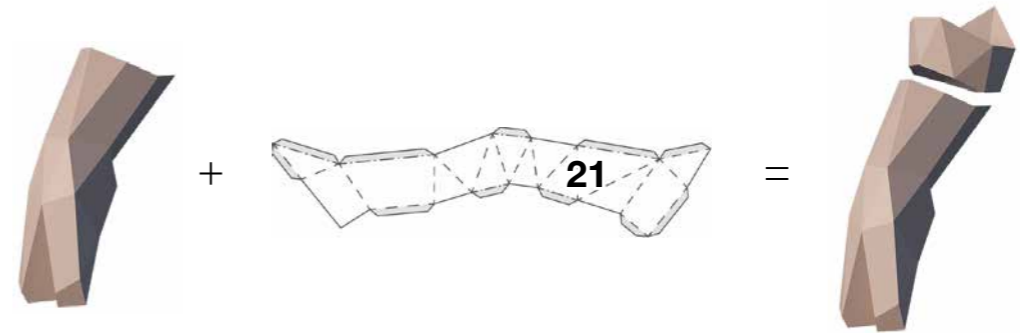
14



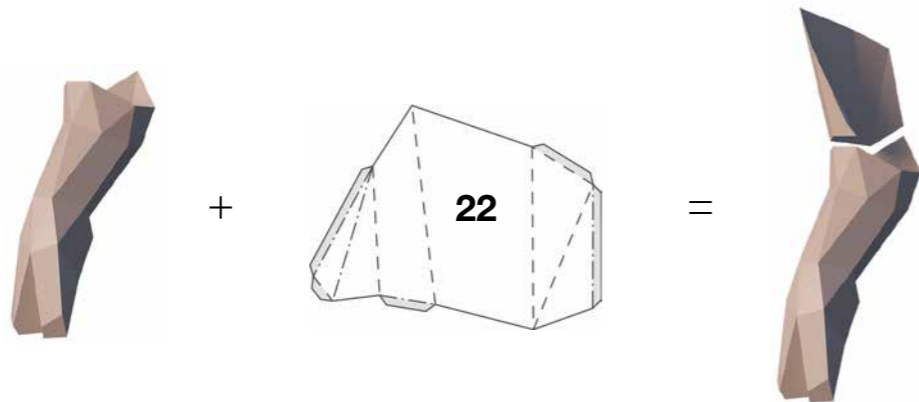
15



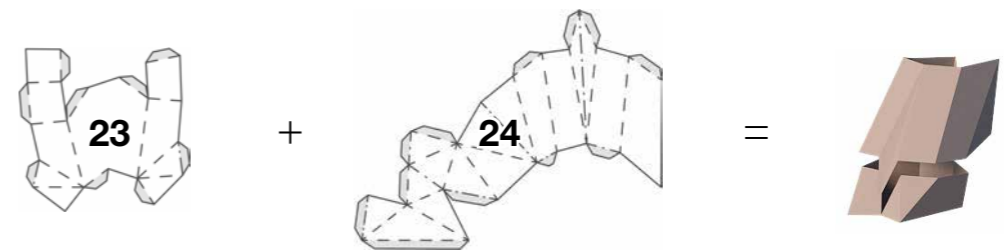
16



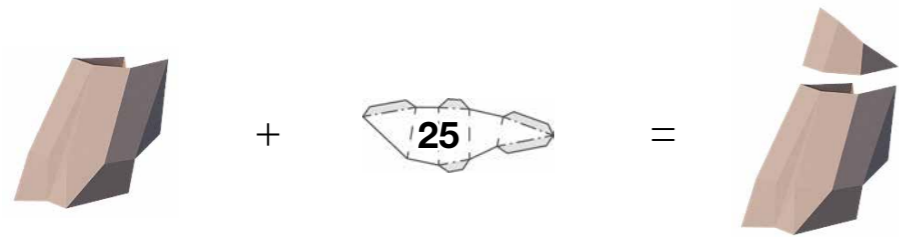
17



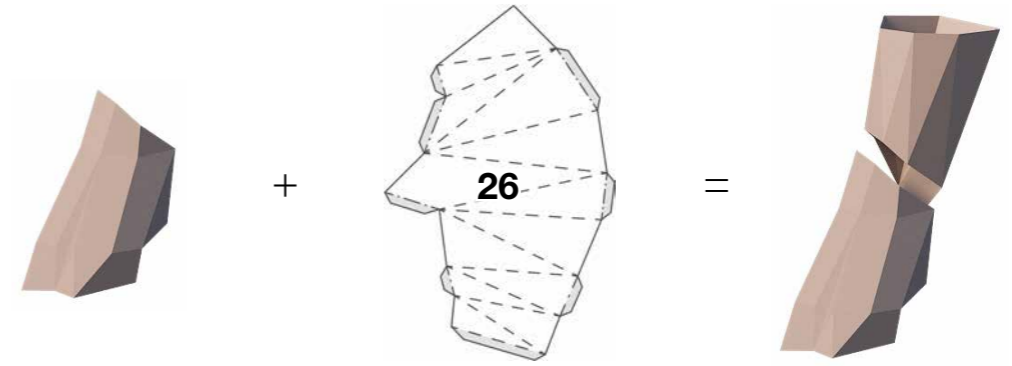
18



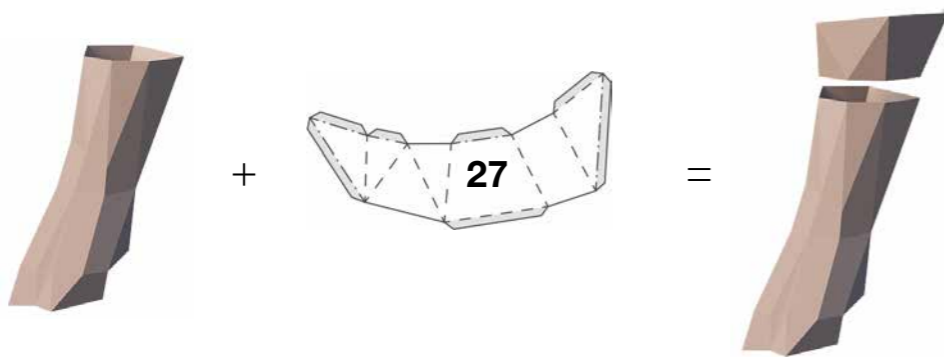
19



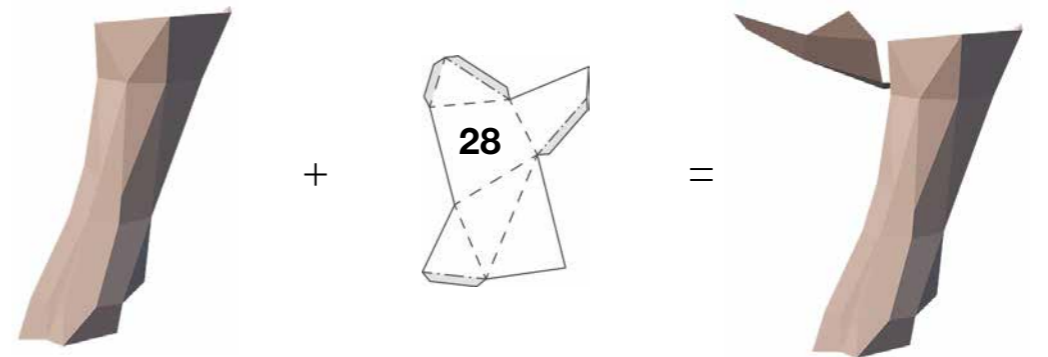
20



21



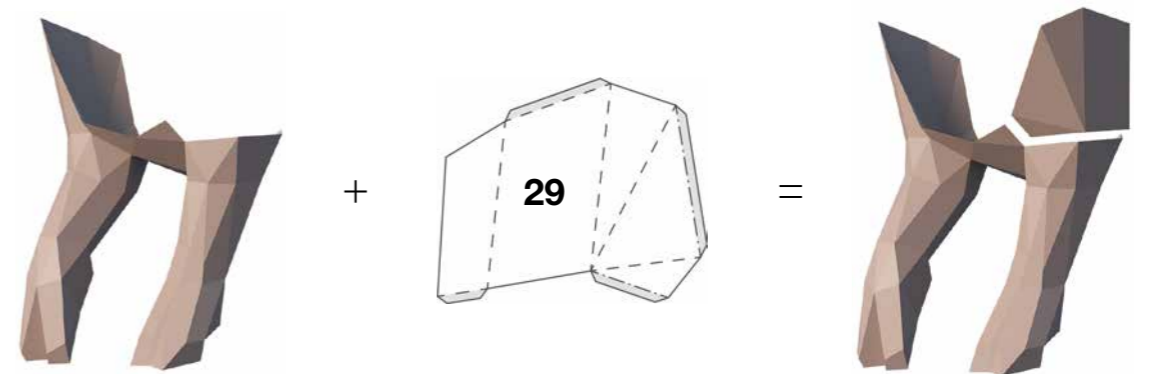
22



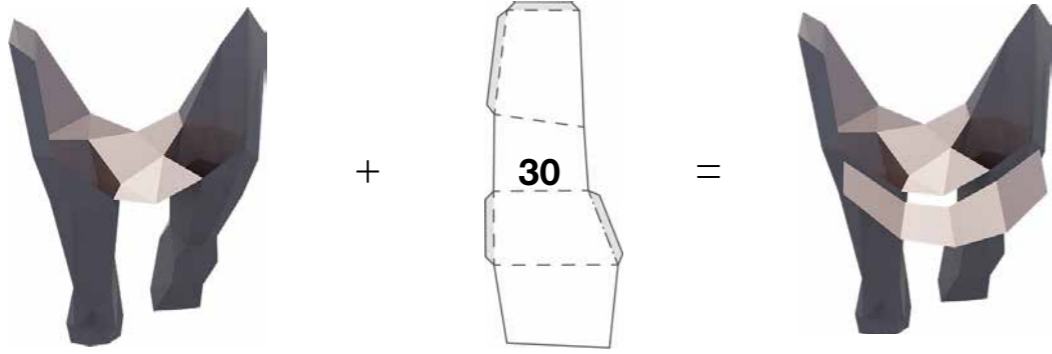
23



24



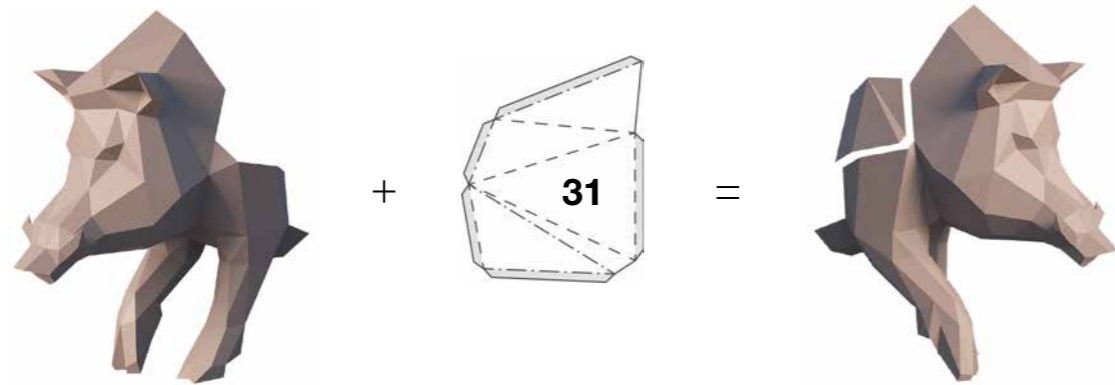
25



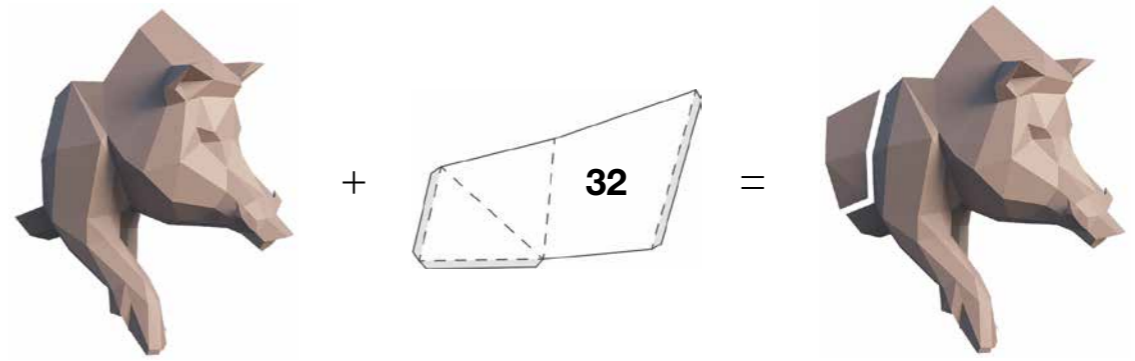
26



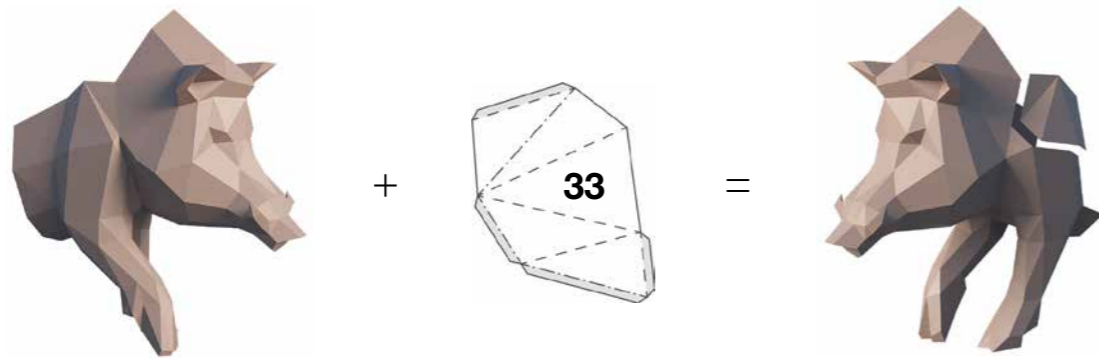
27



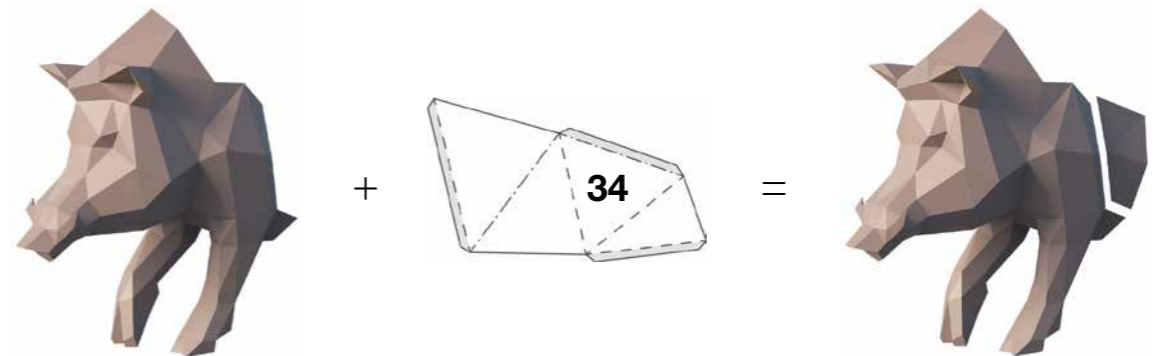
28



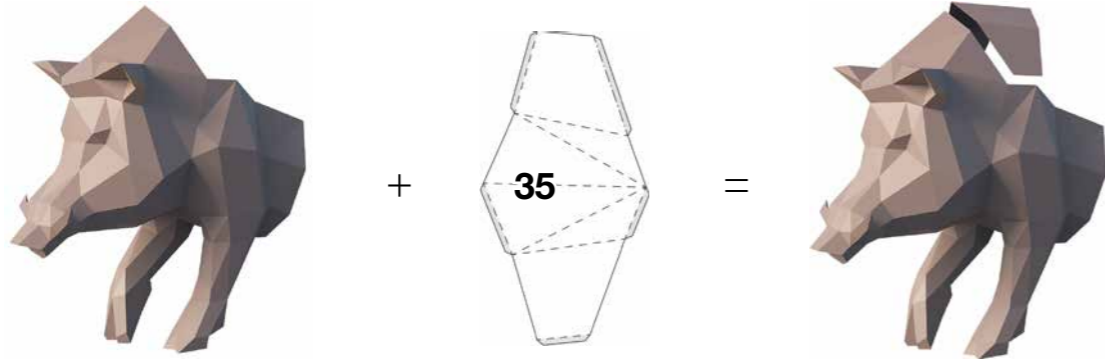
29



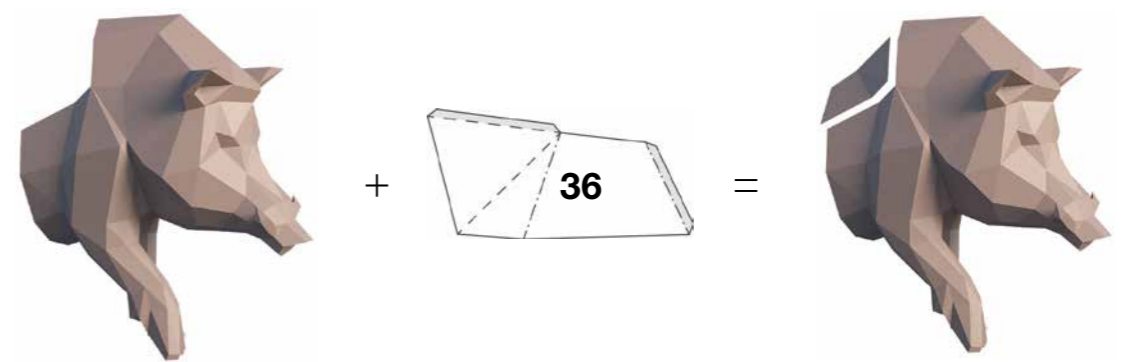
30



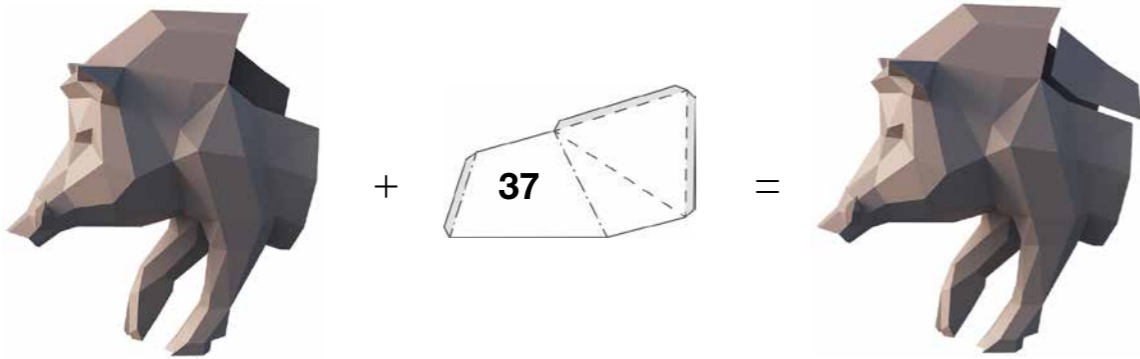
31



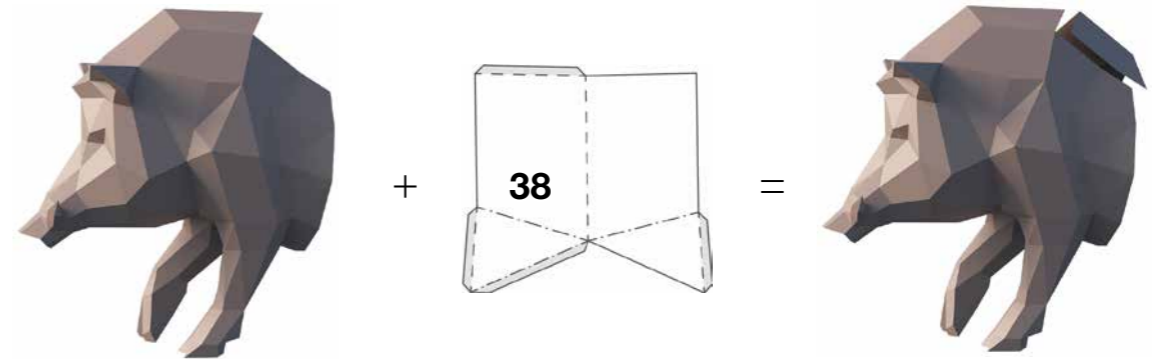
32



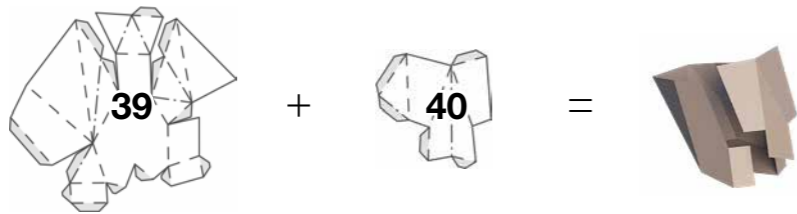
33



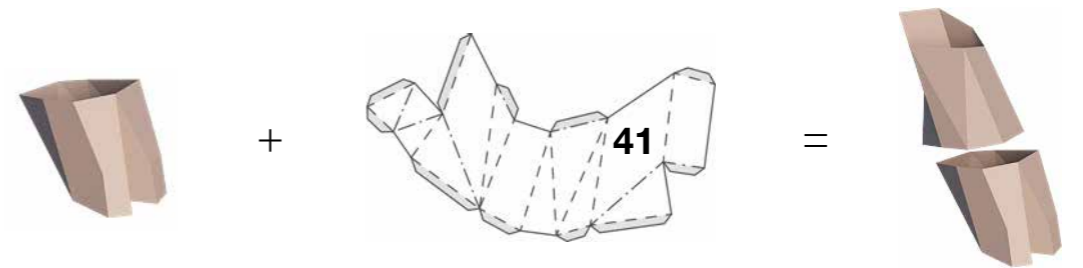
34



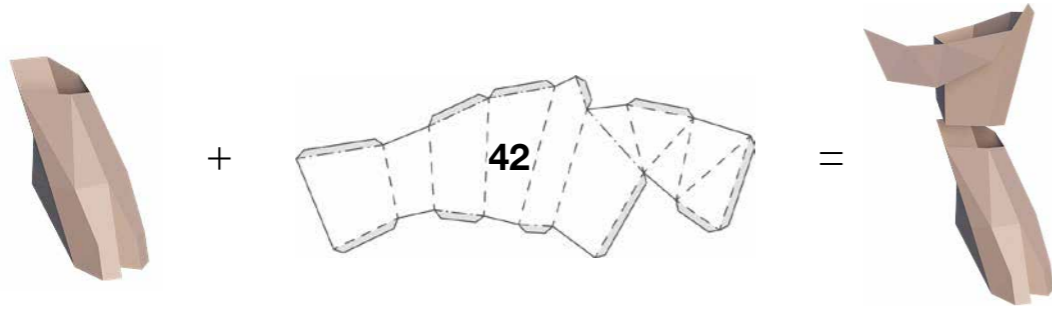
35



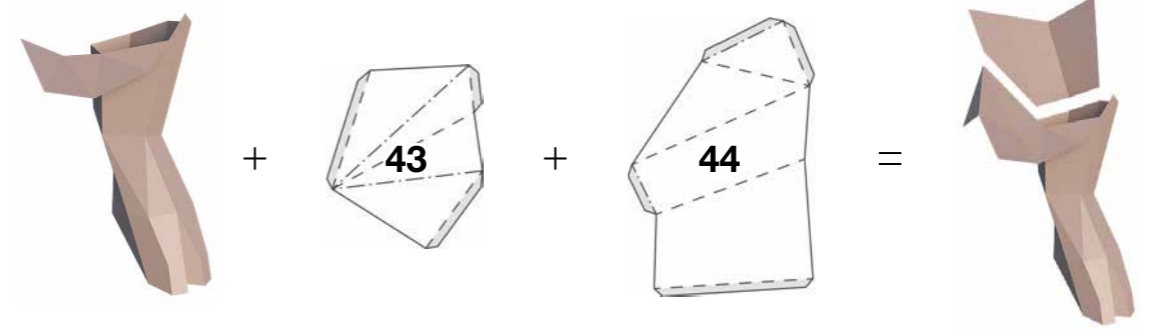
36



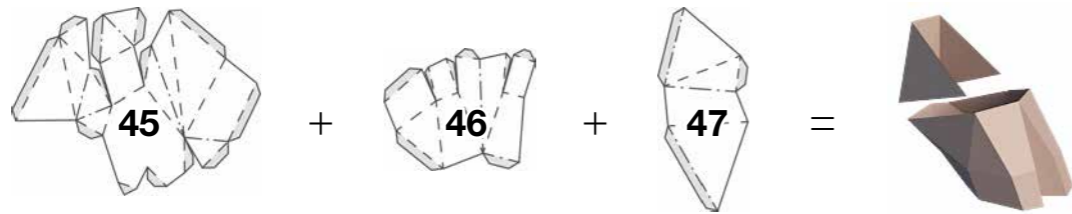
37



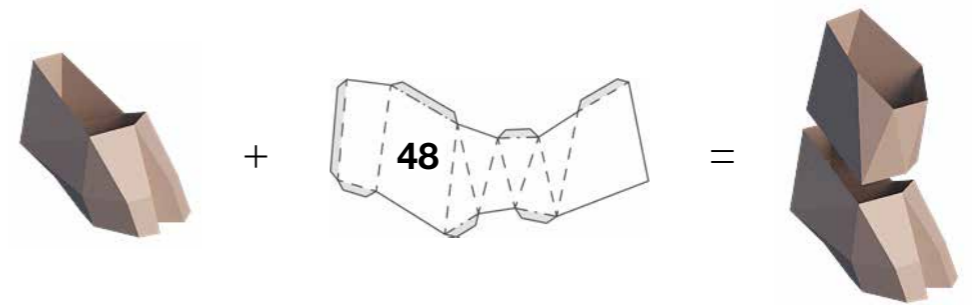
38



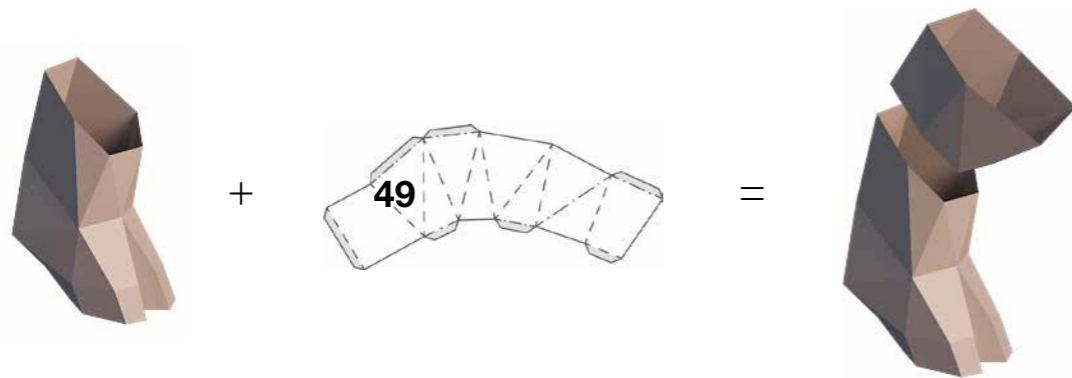
39



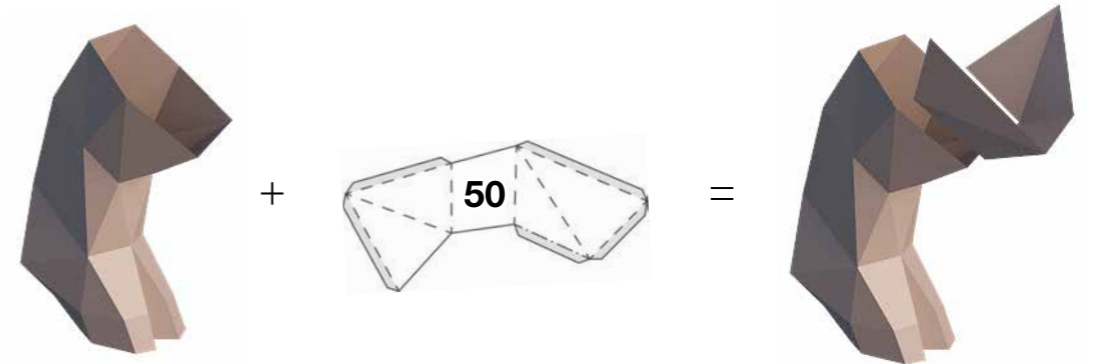
40



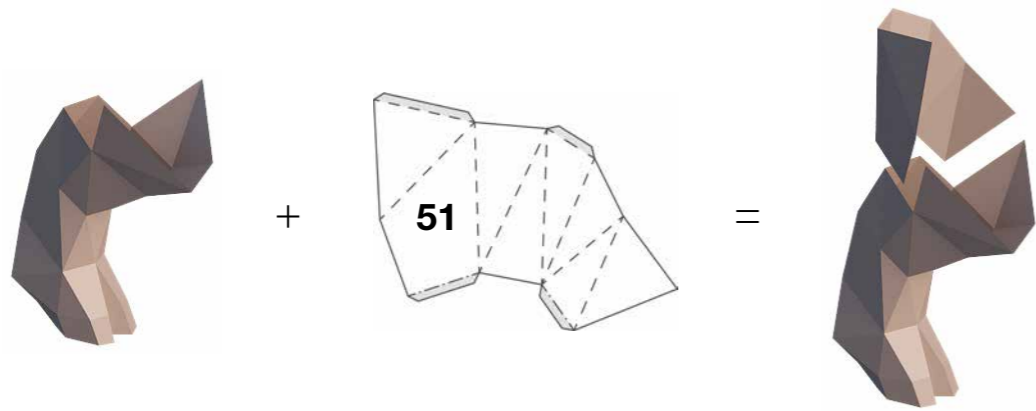
41



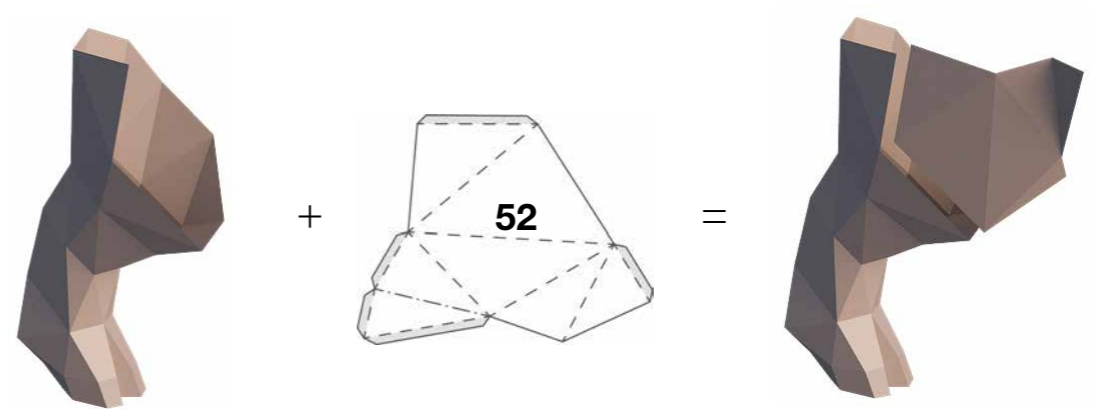
42



43



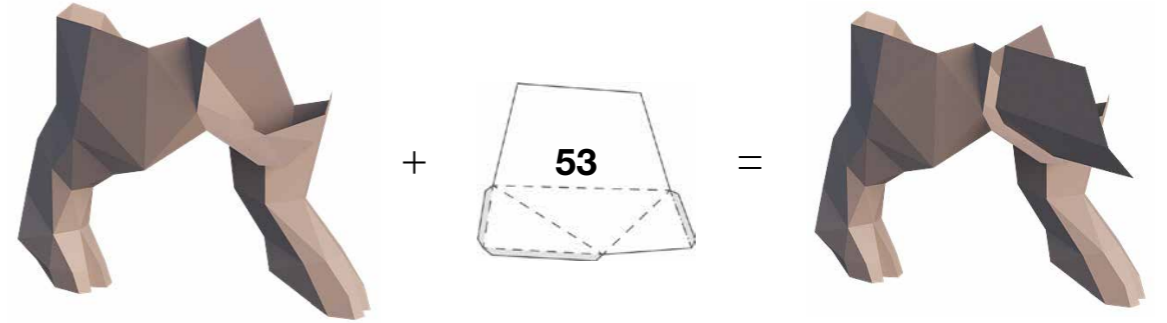
44



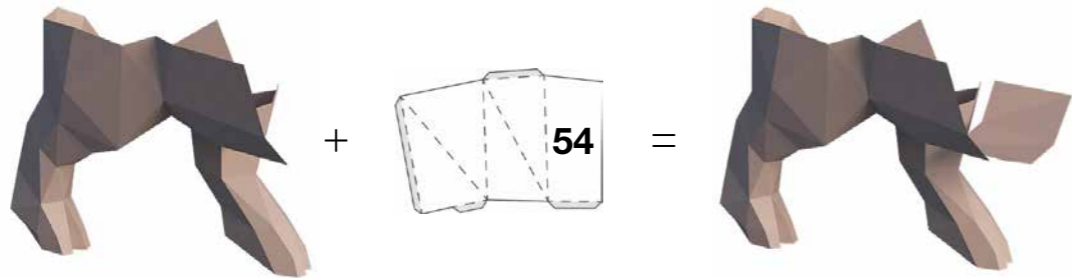
45



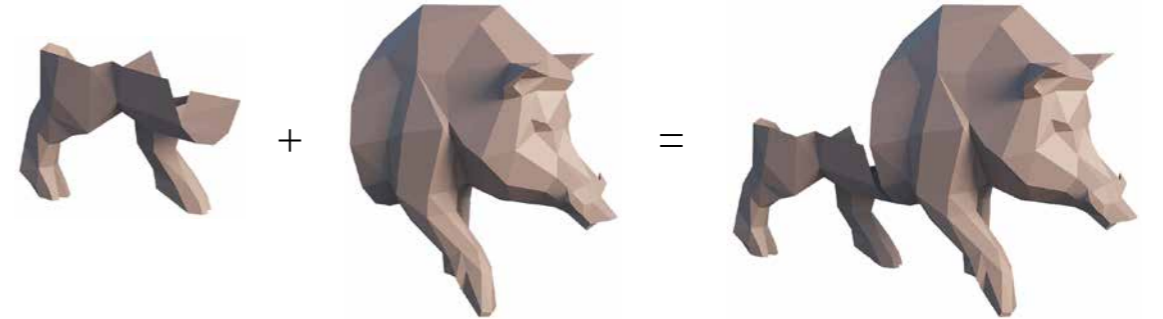
46



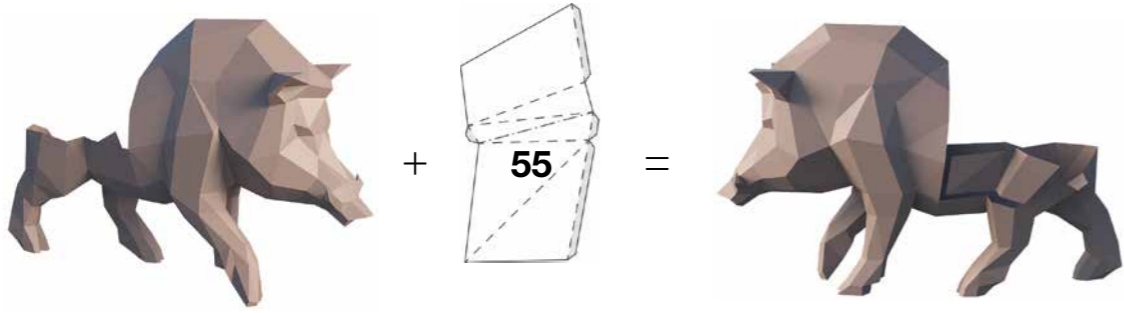
47



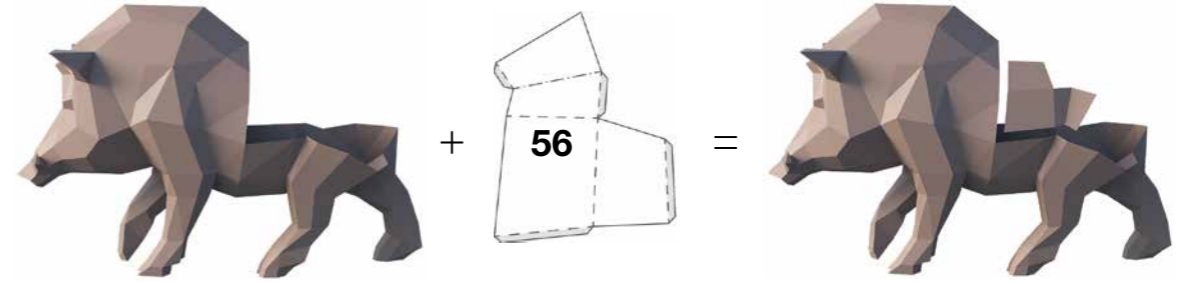
48



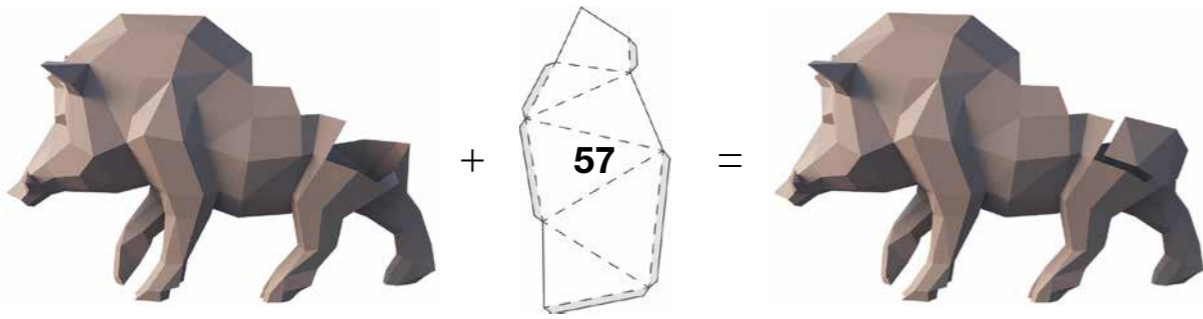
49



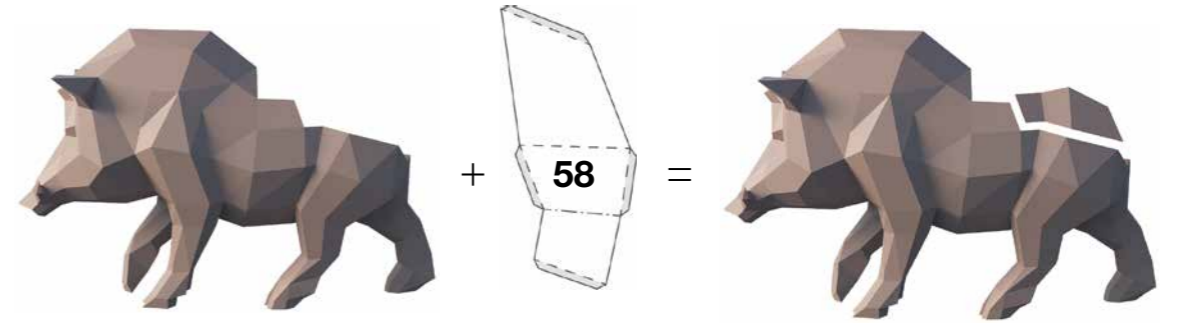
50



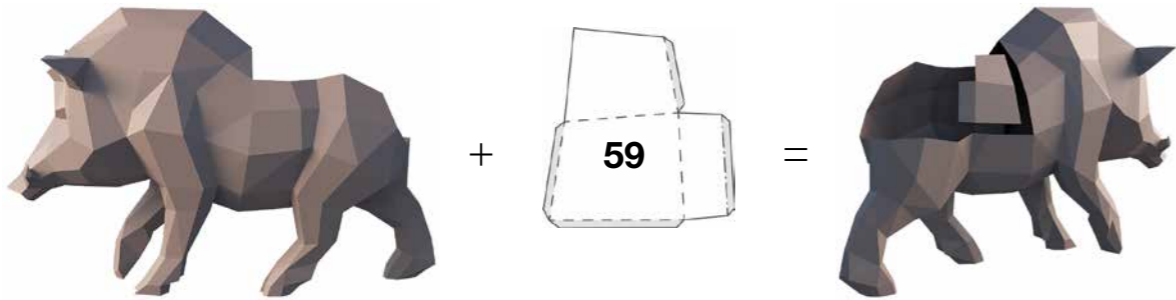
51



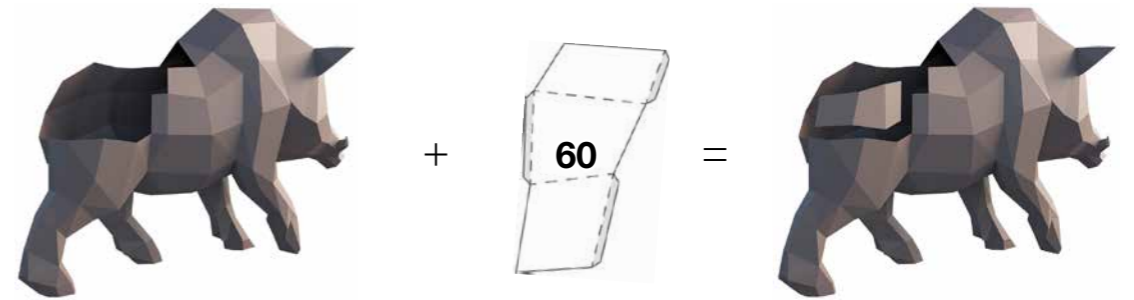
52



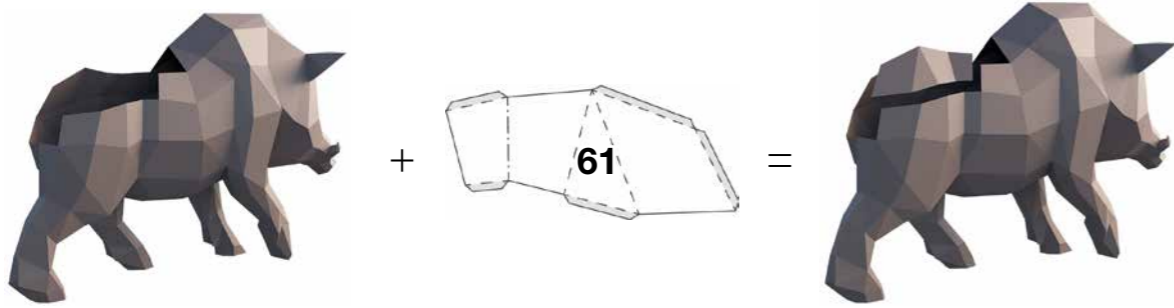
53



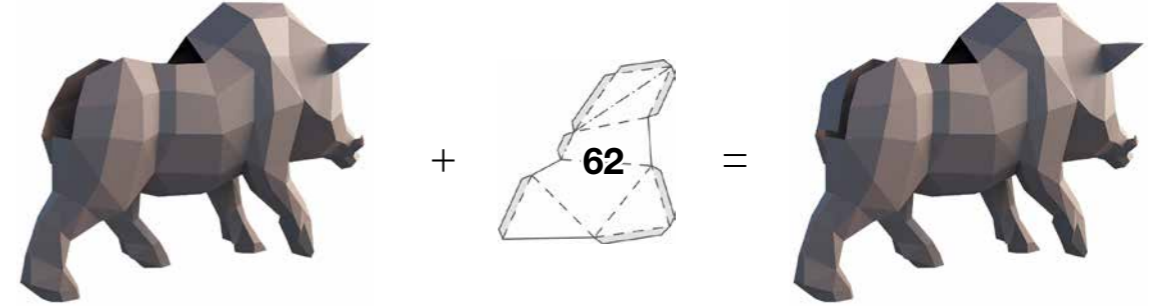
54



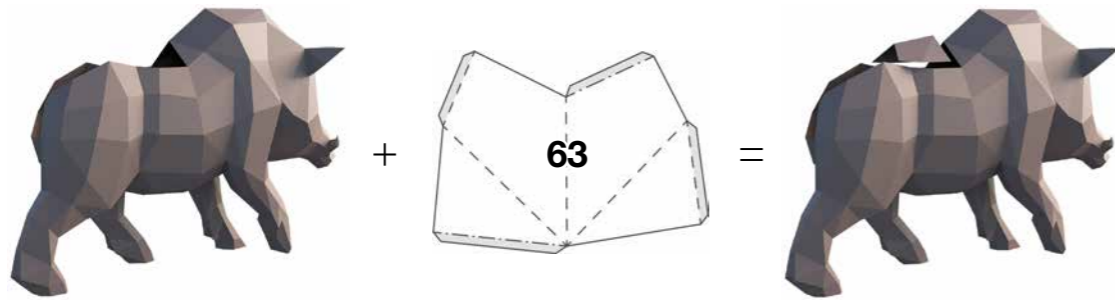
55



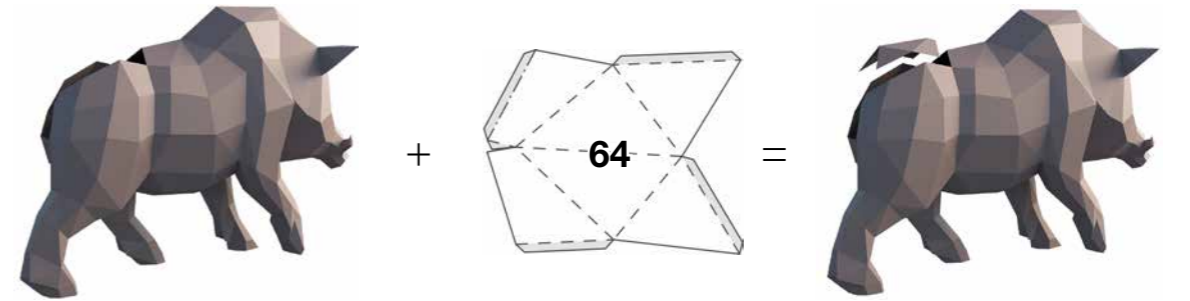
56



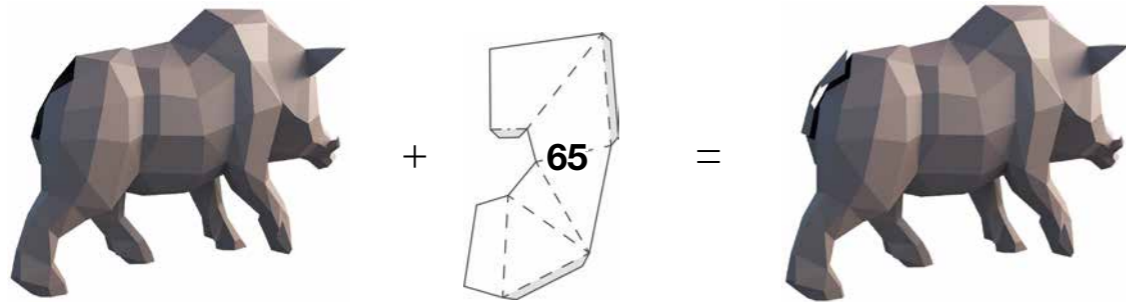
57



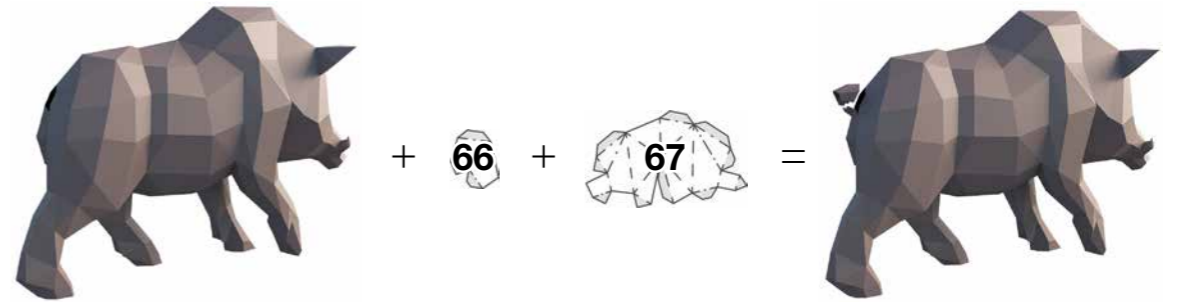
58



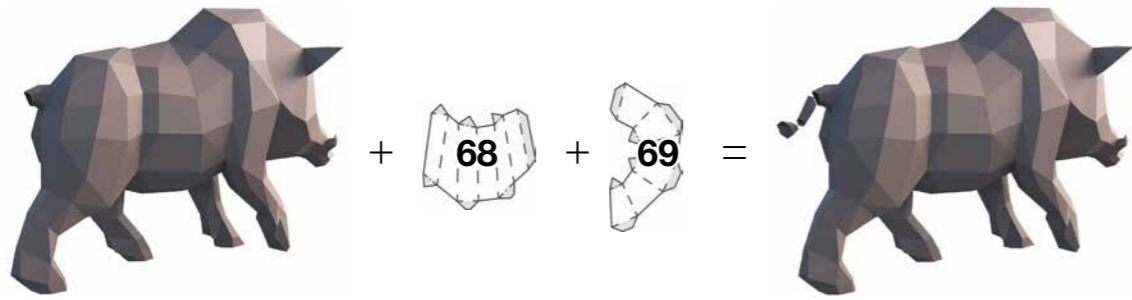
59



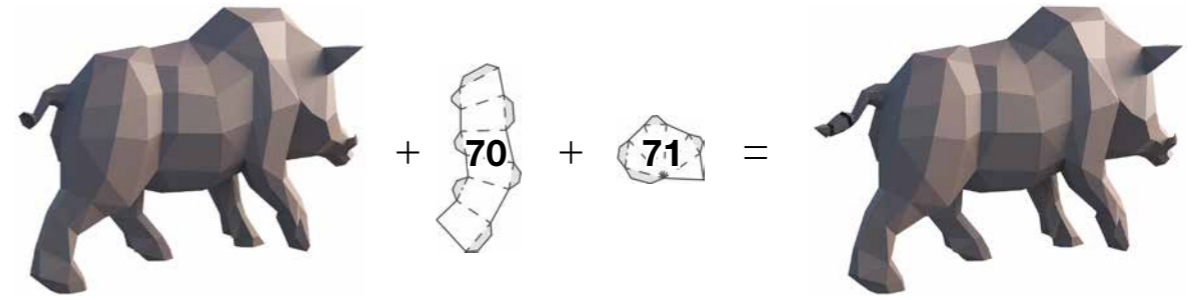
60



61



62





Thank you!